

A photograph of a modern residential building with a facade made of horizontal wooden slats. The building has several windows and a balcony. In the background, there are trees and another building. The sky is clear and blue. The text 'SCHÜCO' and 'ECHT' is visible in the top right corner.

SCHÜCO
ECHT

Schüco Living

System presentation



ECHTZEIT

Schüco Living

System presentation

Weißenfels, January 2024

SCHÜCO

Contents

01

System features

02

Gasket system

03

Bonding
in the system

04

Unit types /
opening types

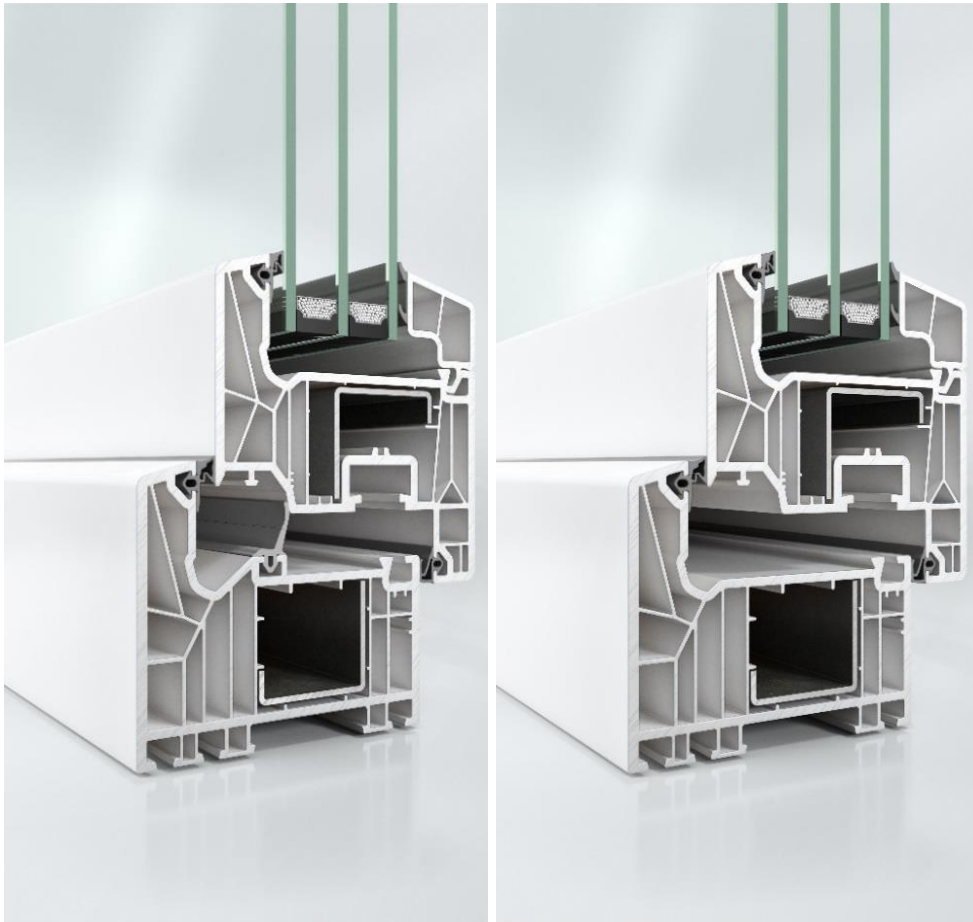
05

Surface
finishing

06

Overview
of range

Schüco LivIng



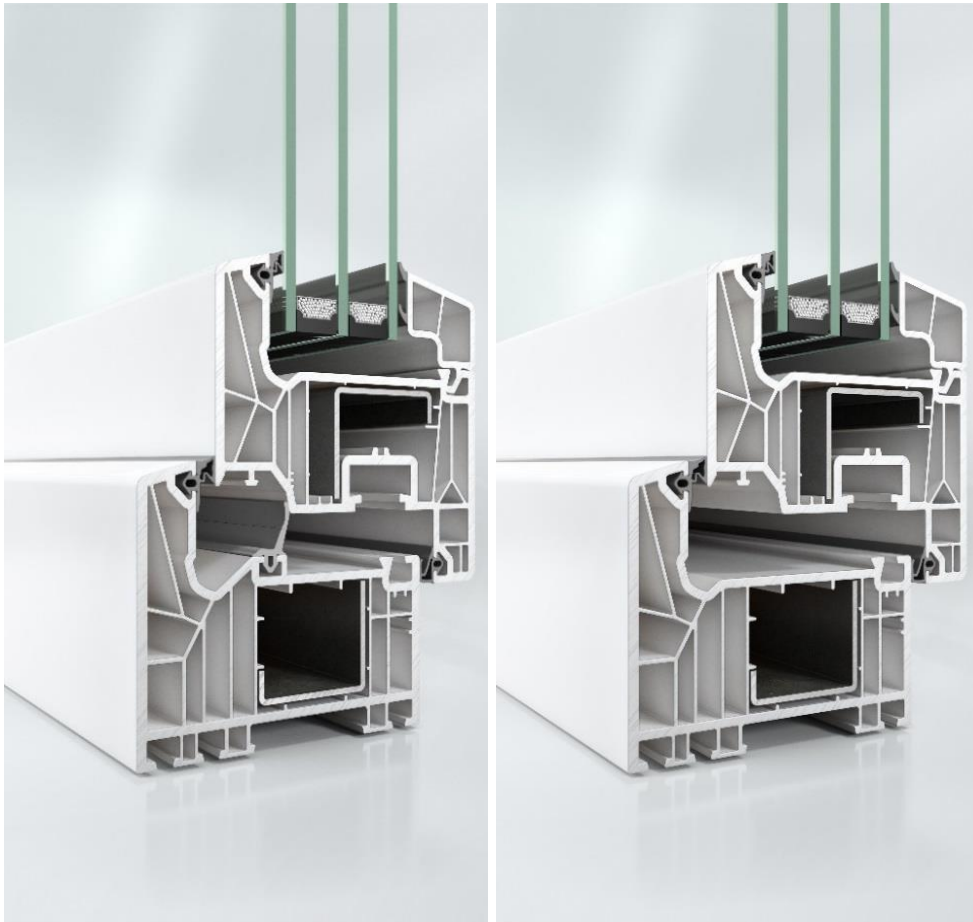
The Schüco LivIng PVC-U system is available as a twin- system, either as a **rebate gasket version with 2 sealing levels** or as a **centre gasket version with 3 sealing levels**.

Excellent thermal insulation properties and narrow face widths are the distinctive features of this system.

Ideal for accommodating **triple glazing**.

Schüco Living

Twin System



Efficient...

... storage

Identical vents, glazing beads, double-vent profiles, vent sash bars and reinforcements for both versions

... job preparation and planning

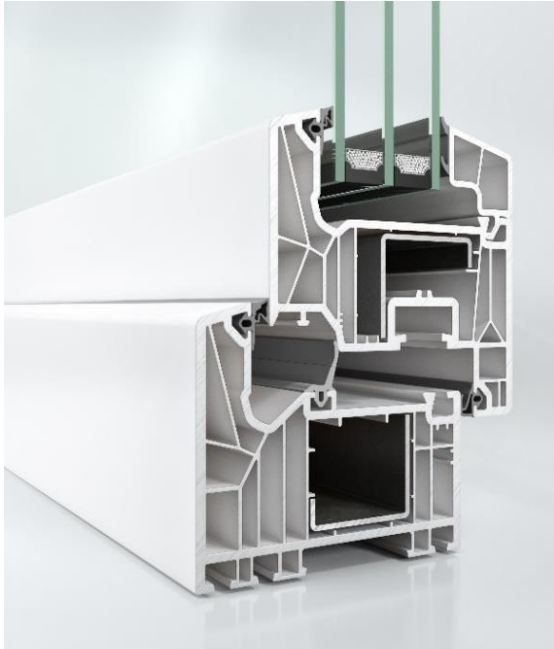
Identical face widths and deduction dimensions

... fabrication

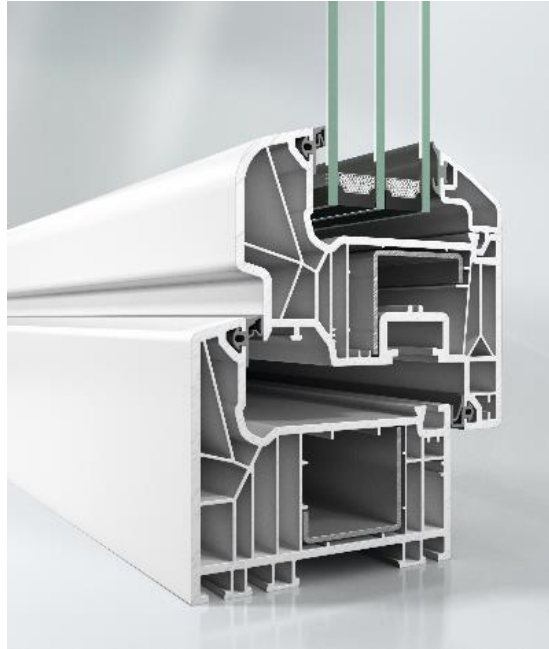
- Corresponding rebate geometry with same rebate height enables identical milling patterns
- Identical reinforcement can be used in the outer frame, vent frame and double vent

Schüco Living

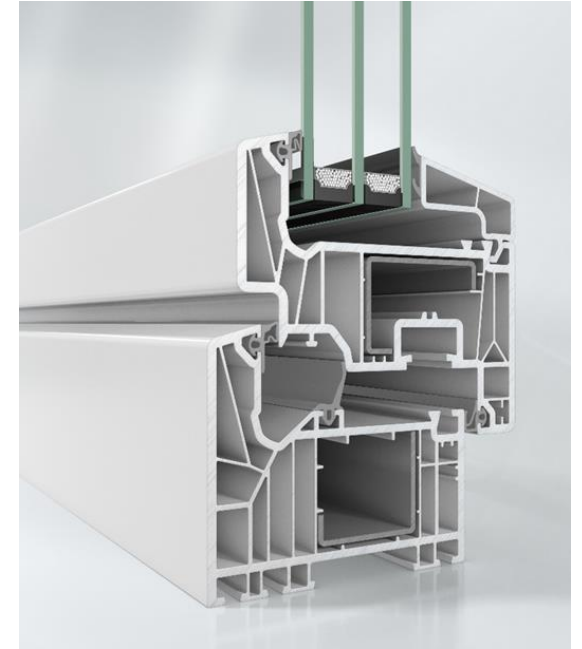
3 vent designs



Classic

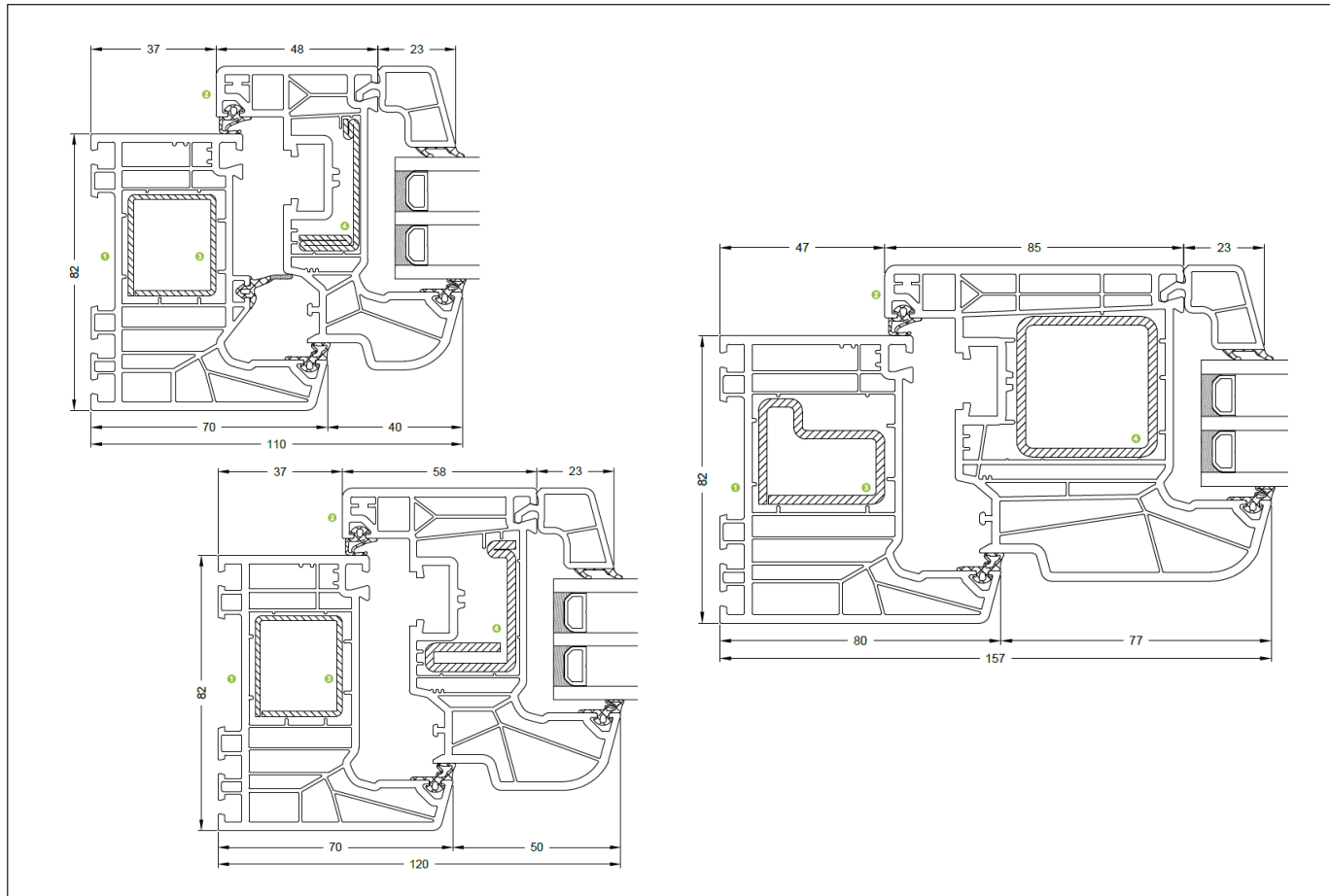


Rondo



Viva

Rondo



Semi-rebated vent contour

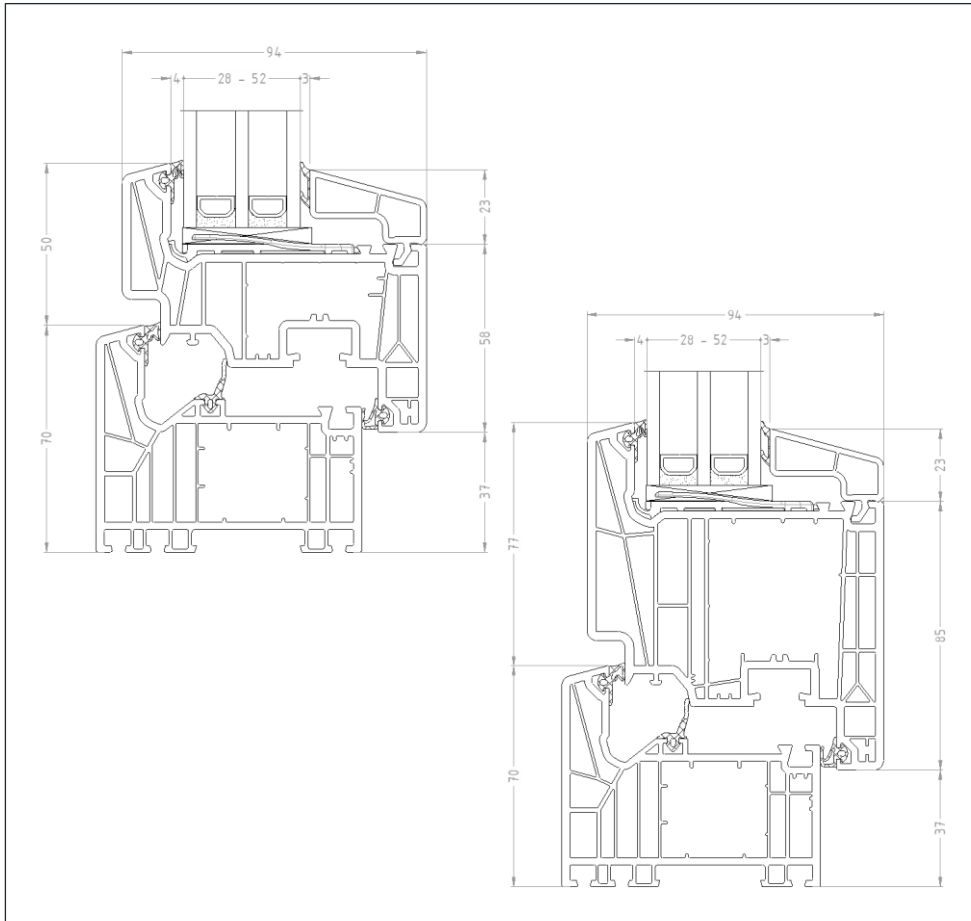
3 vent profiles (73mm / 83mm / 110mm)

Use of standard reinforcements

Use of existing glazing accessories

Glazing from 28mm to 54mm possible

Viva



Modern, semi-rebated vent contour

2 vent profiles (83mm / 110mm)

Use of standard reinforcements (83mm: excl. 202715) / (110mm: excl. 202739/202742)

Use of existing glazing accessories

Glazing from 28mm to 54mm possible

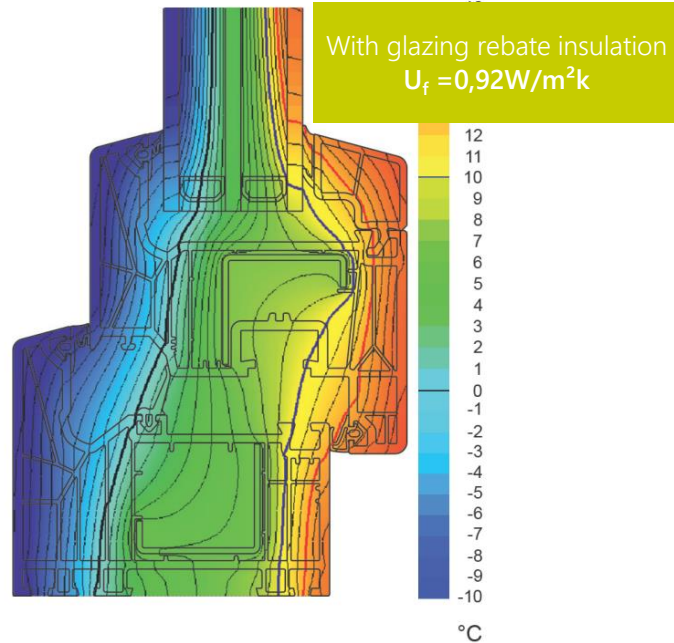
Max. buildable sizes the same as Classic and Rondo

Max. glass weight of 9410 (83mm) = 60kg /
9426 (110mm) = 80kg

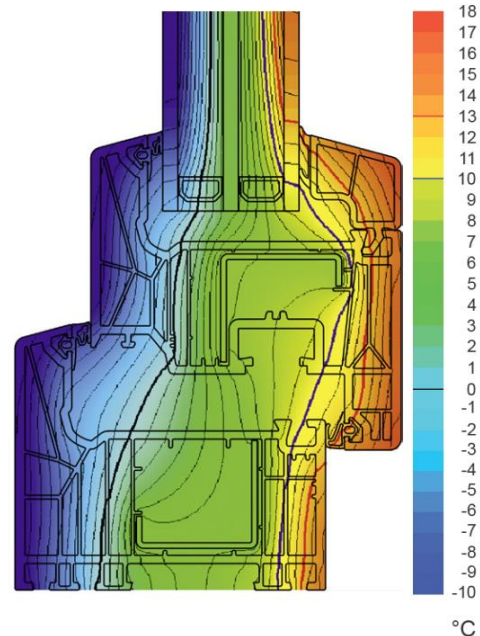
Schüco LivIng

Thermal insulation

LivIng MD
 $U_f = 0.96 \text{ W/m}^2\text{k}$



LivIng AS
 $U_f = 1.0 \text{ W/m}^2\text{k}$



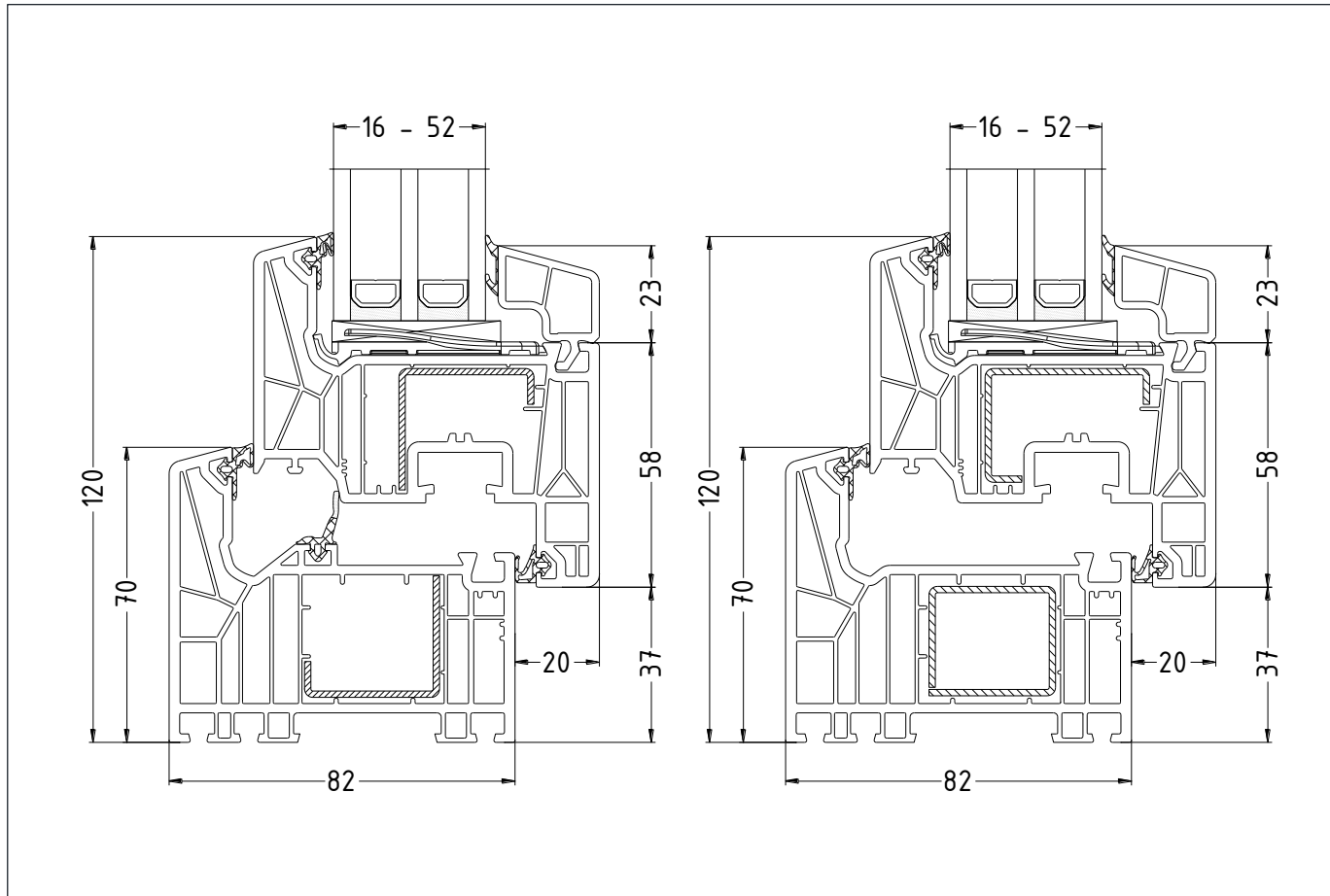
7-chamber profile constructions with optimised chamber geometry and a basic frame depth of 82mm

Glass edge cover of 20mm and optimised glazing rebate shape for minimal heat loss in the glass seal area

ift passive house compatible with Schüco LivIng 82 MD

Schüco Living

System features



Basic depth of 82mm

Corresponding rebate for outer frame, vent frame and T-profiles

Glass edge cover of 20mm

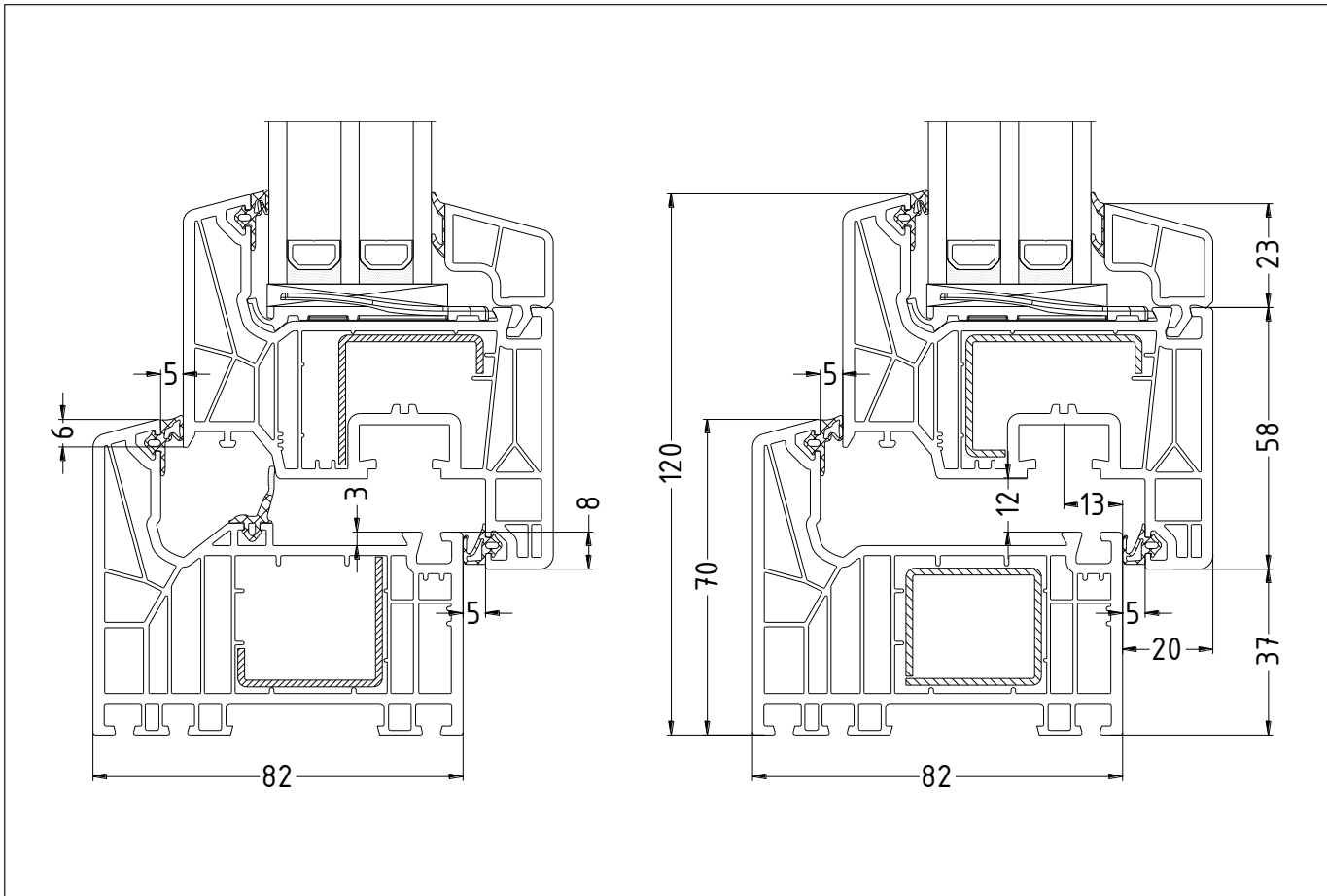
Uniform rebate height of 3mm

Identical reinforcement possible in outer frame, vent frame and vent profile

Glazing from 16 to 54mm possible

Schüco Living

System features



Operational reliability

Wall thicknesses in accordance with RAL-GZ/716 and DIN EN 12608 (Class B)

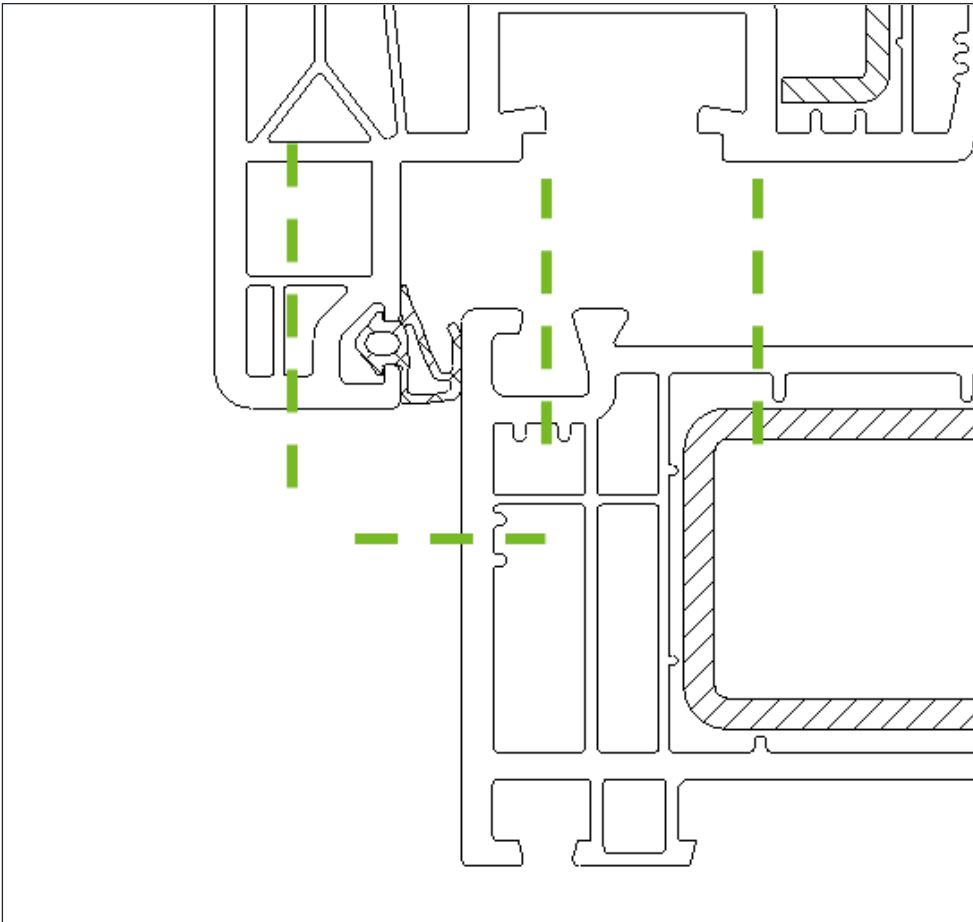
6mm vent overlap outside and 8mm overlap inside

Excellent accommodation of tolerances due to 5mm gasket clearance between outer frame and vent frame

The vent rebate gasket does not need to be notched in the turn/tilt mechanism pivot area

Schüco Living

System features



System reliability

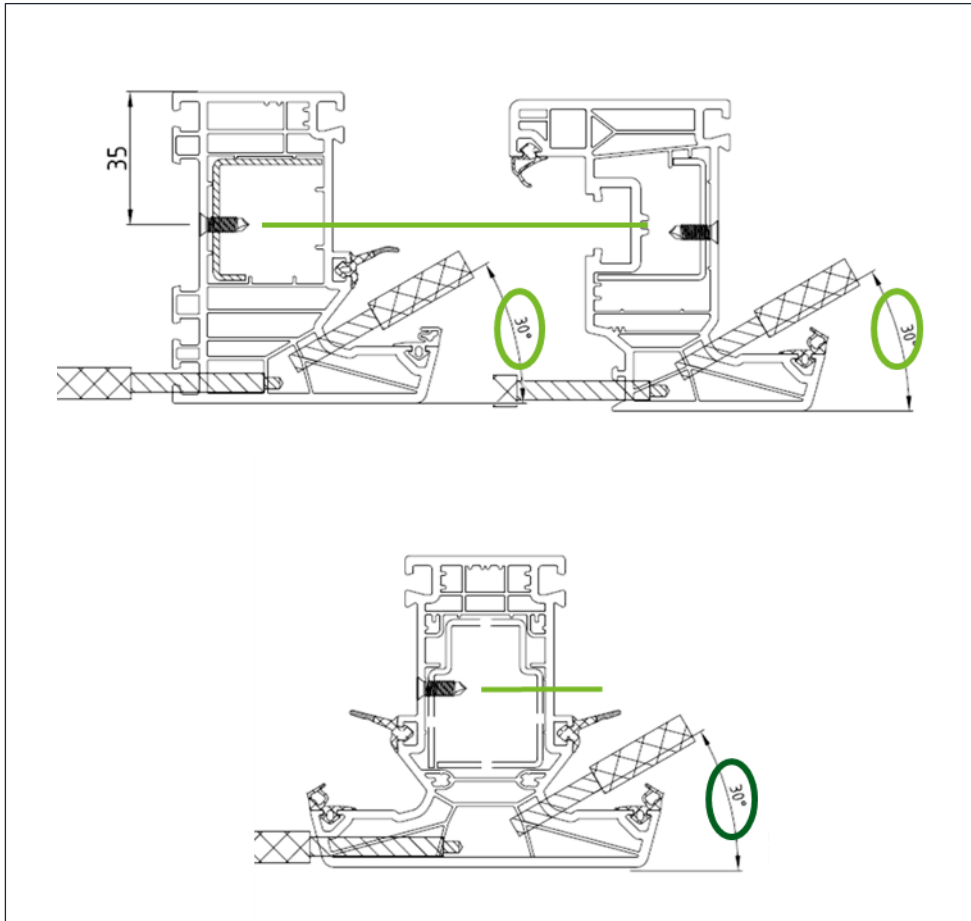
Strengthened PVC walls with additional screwing cam- lock enable higher pull-out forces for a secure fit of screws

Special screw ports for fixing the corner pivot in the vent

Security keeps (RC) fixed in the steel reinforcement

Schüco Living

System features



Fabrication

Same milling for ventilation and drainage of all main profiles

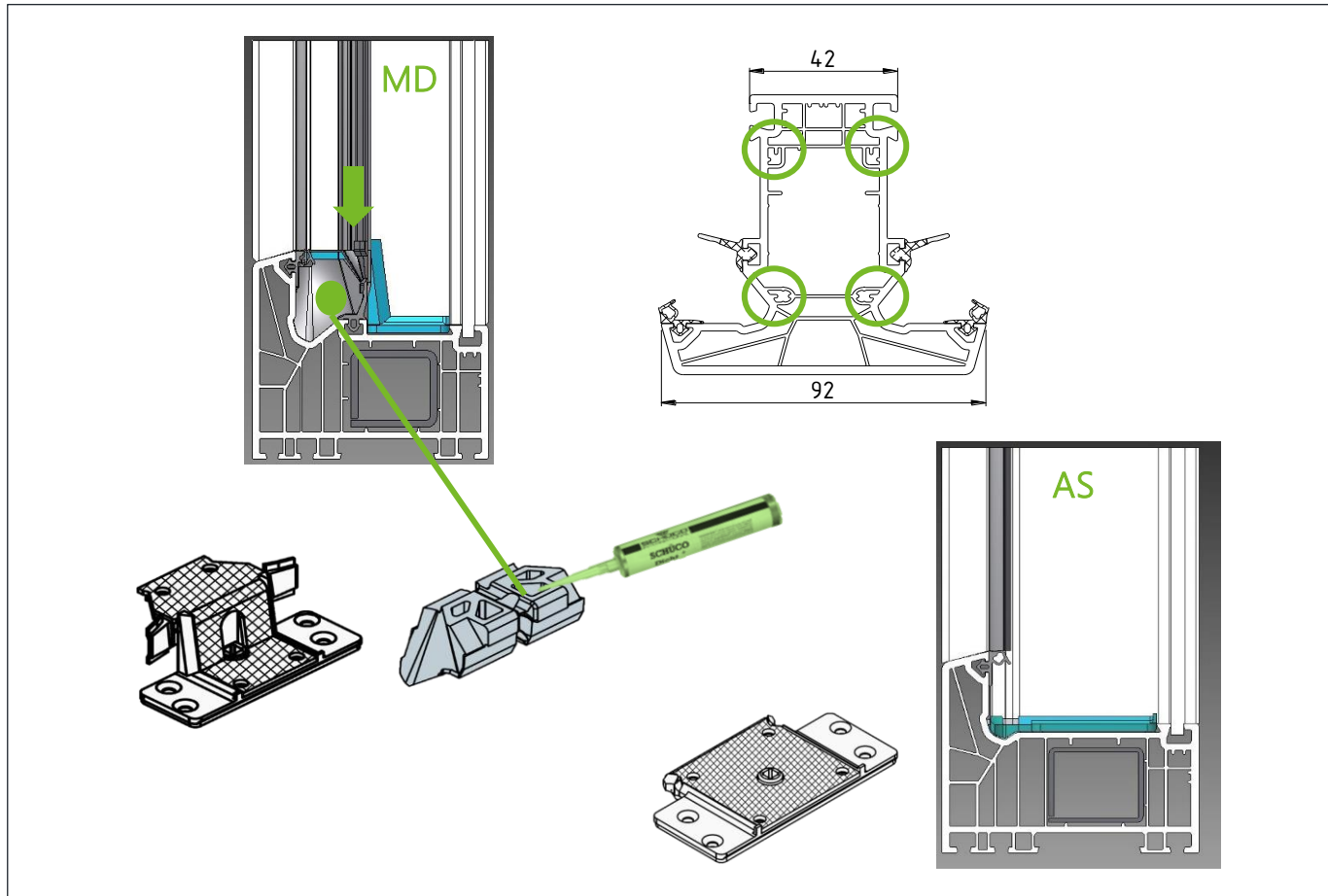
Secure opening of all chambers with one milling process (no "danger" for steel chamber and centre gasket)

No additional milling/ drilling required in the vent for laminated windows

Identical screw axis for fixing the reinforcement

Schüco Living

System features



T-cleats

T-profiles with 4 screw ports

Die-cast zinc cleats (stability, weathertightness, twist protection)

Colour of T-cleats: silver & black

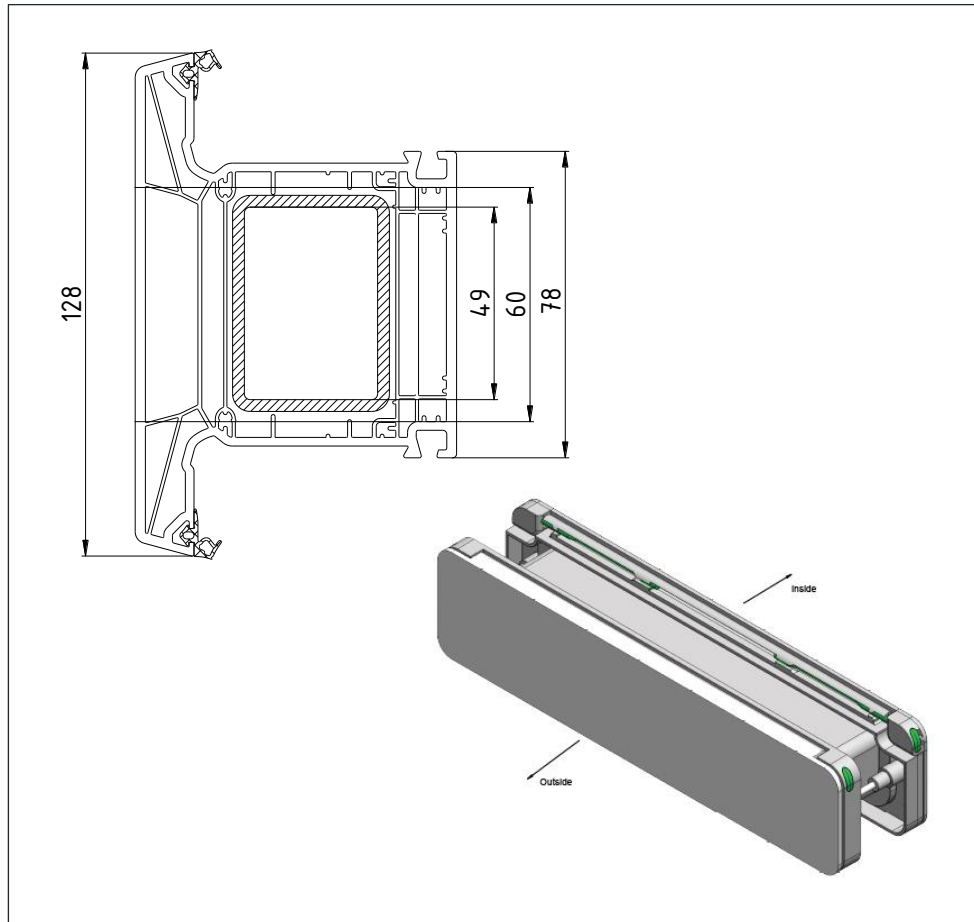
Identical milling patterns for vent profiles, T-profiles and outer frame in AS version

MD: T-Cleat can be used with all centre gaskets, i.e. no notching of centre gasket necessary

MD: Innovative sealing concept with sealing channel in sealing plug

Schüco Living

Large vent bar, e.g. for letterbox

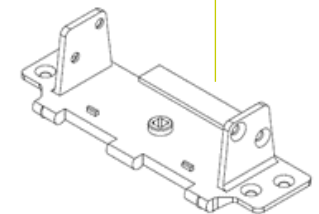


Face width 128mm

Steel reinforcement 40 x 55 x 3mm and 40 x 55 x 2mm available

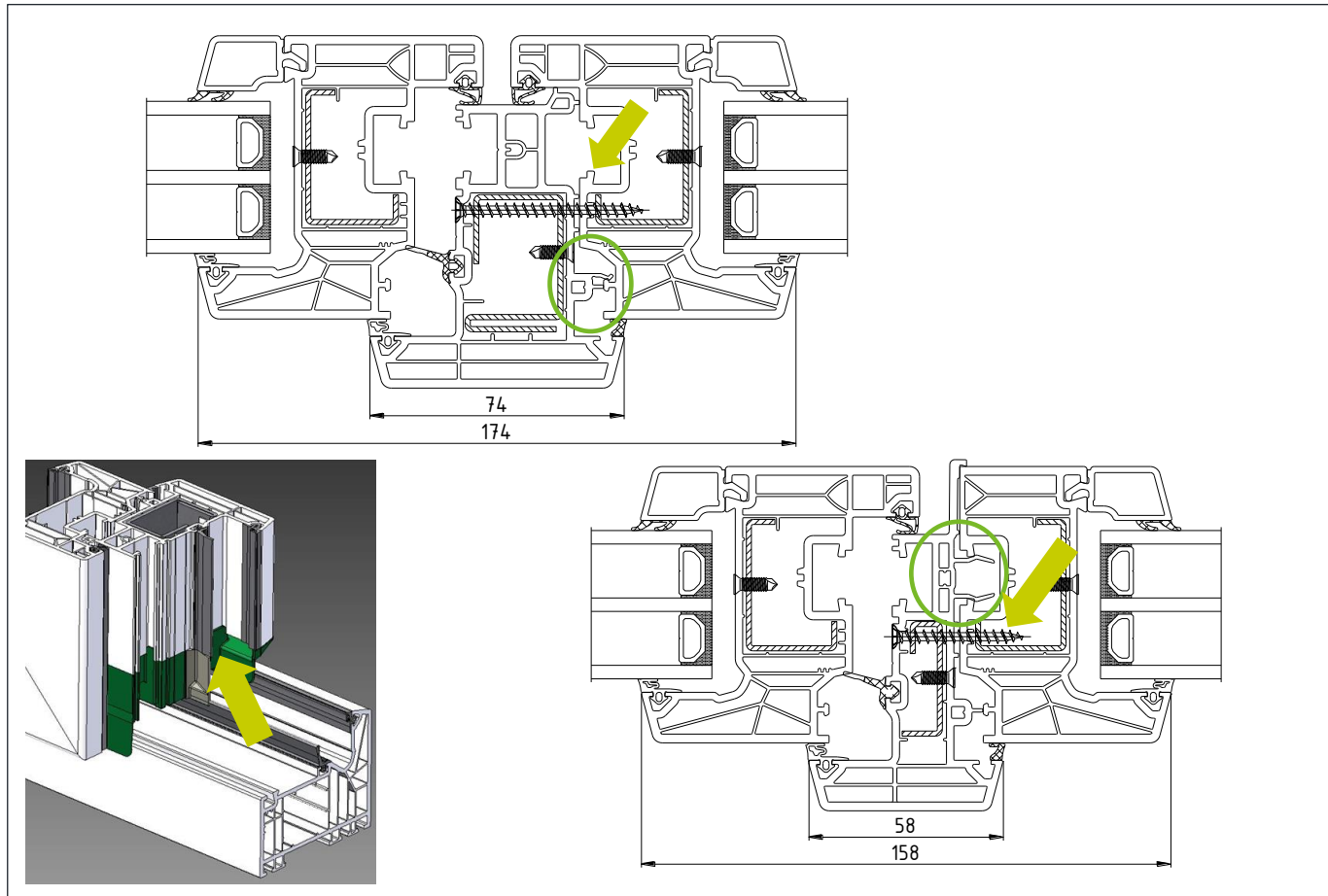
Vent bar connector available

Space for letterbox up to 49/51mm height with reinforcement or 60mm height without steel



Schüco Living

System features



Double-vent profiles

Clip hook on the double-vent profiles as a positioning aid for simple installation

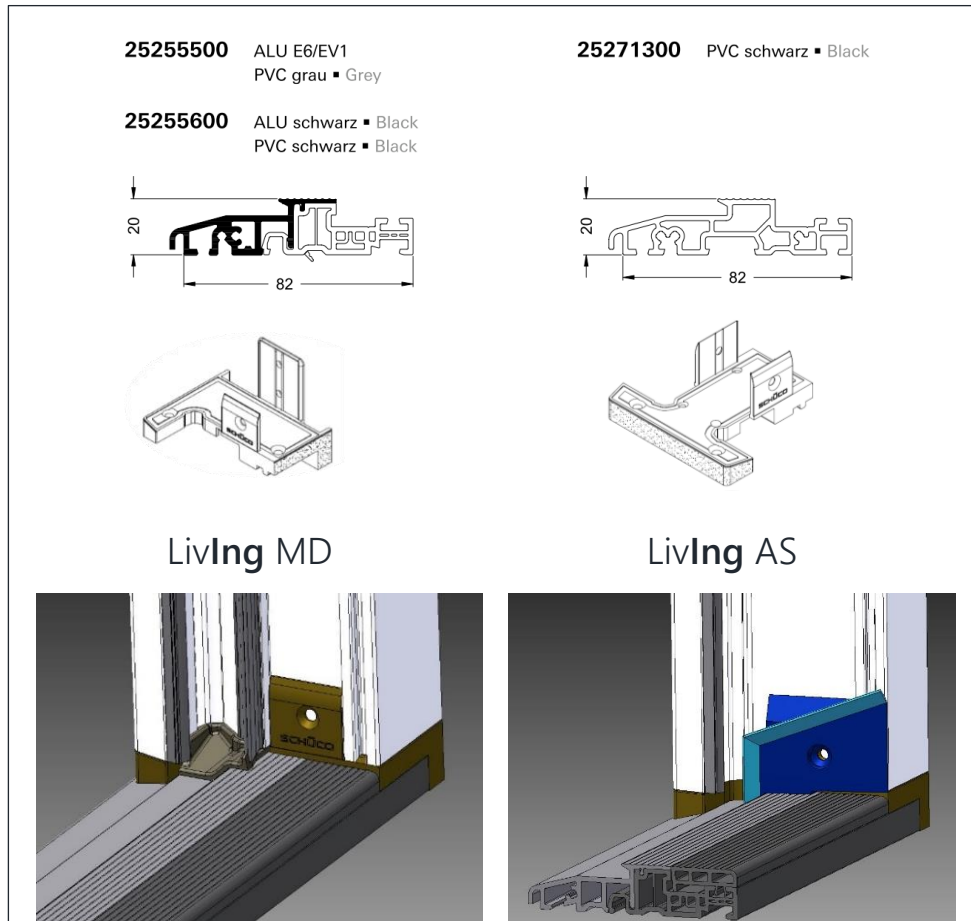
Central screw connection in steel reinforcement

Double-vent end caps, one- and two-piece: colours matched with base material colours (white, cream white, caramel, dark grey, black)

Laminated double-vent profiles are ventilated via the end caps

Schüco Living

System features



Door thresholds

Can be used for window doors and entrance doors

Barrier-free access in accordance with DIN 18040

Optimal thermal break

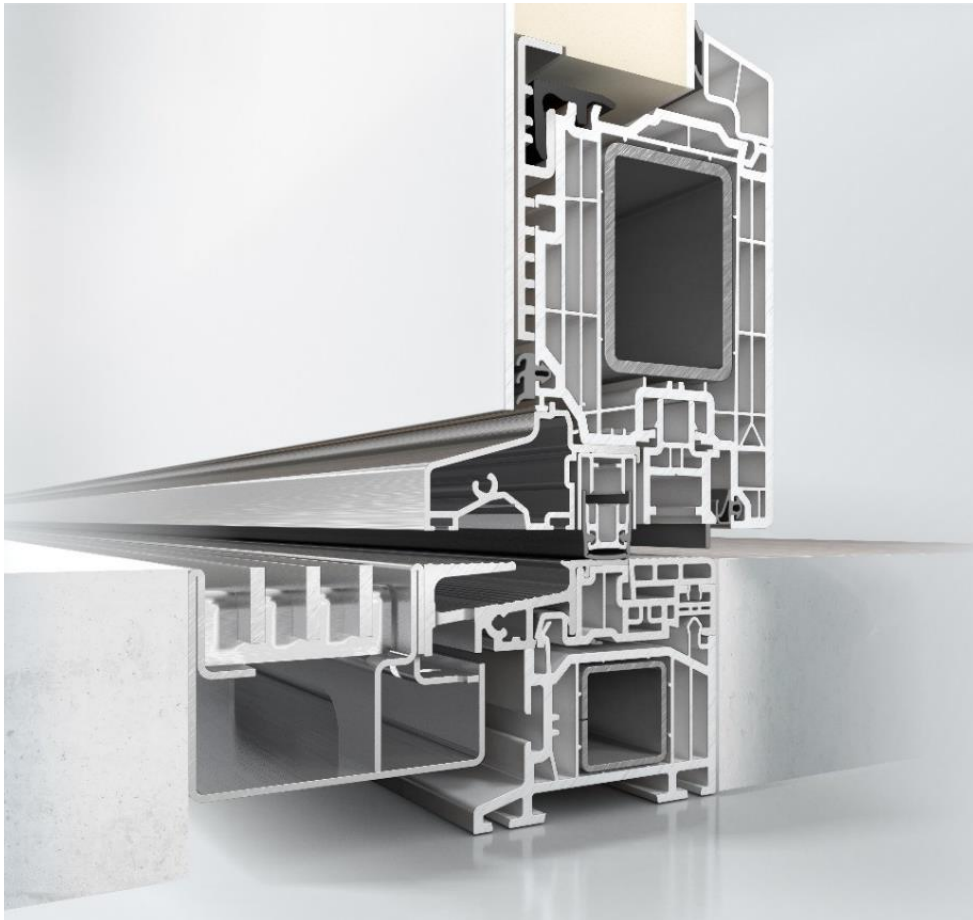
Identical outer frame and mullion connector for MD and AS

Threshold colours: C35/black, EV1/silver

Wind stop (AS) and sealing elements (MD) for maximum weathertightness

Schüco LivIng

System features, 0mm threshold



0mm threshold system for one- and two- part inward-opening entrance and side entrance doors in the Schüco LivIng AS system

Barrier-free in accordance with DIN 18040

Can also be used with leaf-enclosing infills and TopAlu

Prefabricated, thermally broken threshold profile

Weathertightness thanks to newly developed wind stops and the use of an automatic door seal

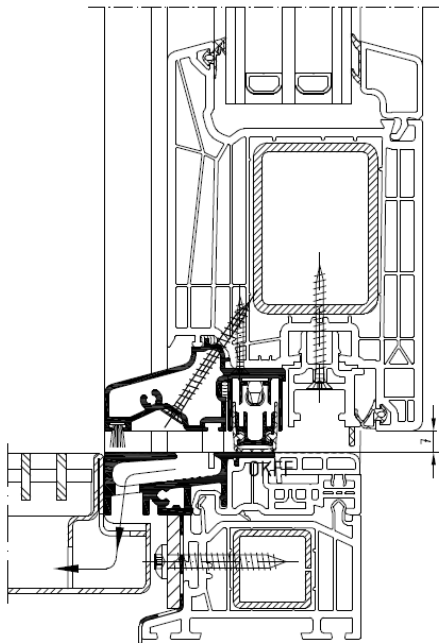
Watertightness: up to class 7A

Can be used with standard drainage systems

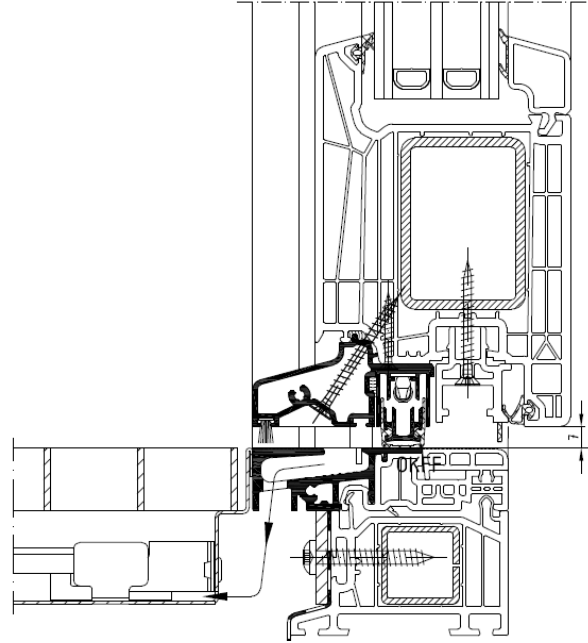
Schüco LivIng

System features, 0mm threshold

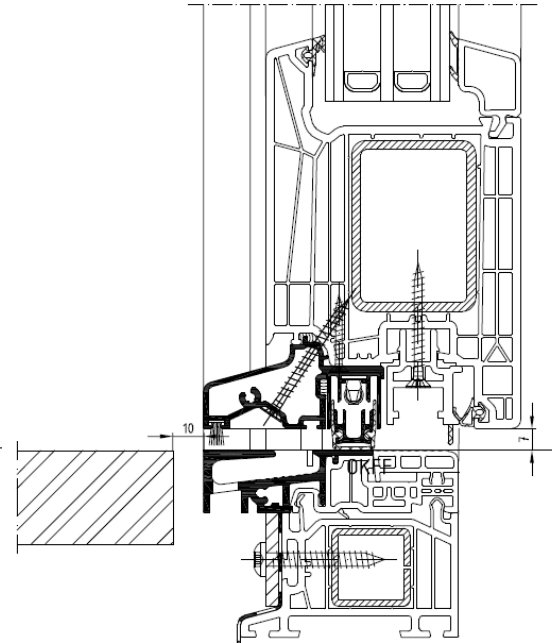
Schüco LivIng entrance door
– with box gutter



Schüco LivIng entrance door
– with drainage gutter



Schüco LivIng entrance door
– with frontal area in drainage



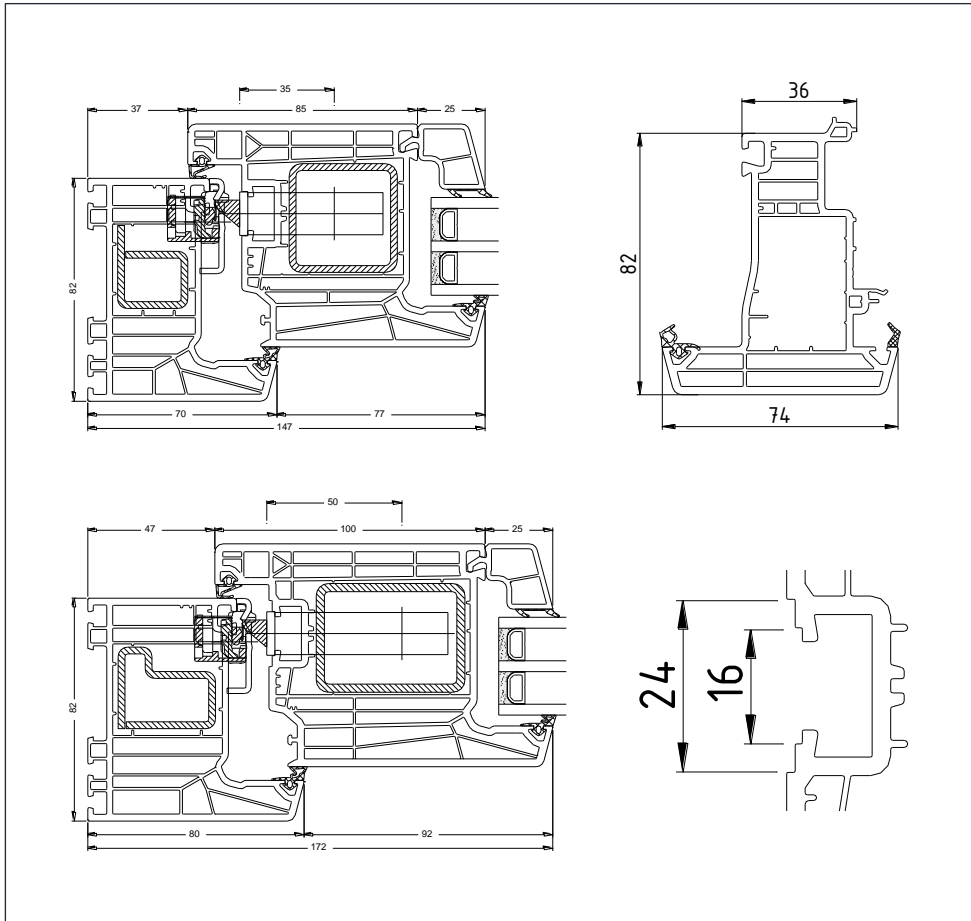
* S1 Closed, latched and locked
* S2 Closed and latched

Test scenarios	–	S1 *	S2 **
Air permeability		4	2
Watertightness		7A	4A
Resistance to wind load		C2 / B2	C2 B2

* S1 Closed, latched and locked
** S2 Closed and latched

Schüco Living

System features



Side entrance and entrance doors

Right-angle reinforcements for the most demanding structural requirements

Weld-on corner cleats for entrance doors (expanding on 4 sides for maximum corner stability)

Steel reinforcement in the outer frame for electric strike

"Door" meeting stile with smooth rebate and good structural values

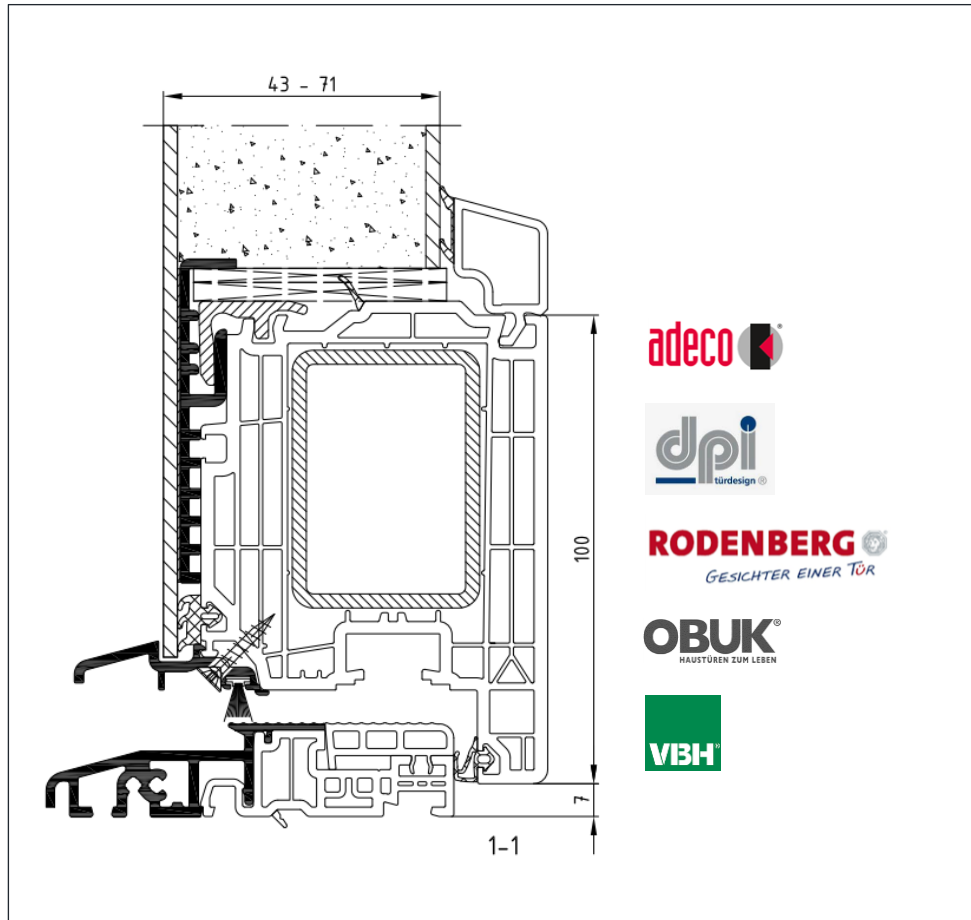
Side entrance doors: Backset of up to 35 mm possible

Entrance doors: Backset of up to 50 mm possible

"Duo groove" for 16 and 24 mm forend plate

Schüco Living

System features



Mechanical fixing system for leaf-enclosing door infills

Easy to install

No bonding

Detachable at any time

Gasket clearance of 5mm for high system reliability

Also in conjunction with aluminium cover caps

Use of standard entrance door fittings

Max. infill thickness 71mm

Compatible with infills from all infill manufacturers

Schüco Living

System features

Technical information

Dimensions

	Schüco Living 82 AS	Schüco Living 82 MD	Schüco Living 82 AS HT
Basic depth of outer frame	82mm	82mm	82mm
Basic depth of vent frame	82mm	82mm	82mm
Possible glazing thickness	24mm – 54mm	24mm – 54mm	24mm – 54mm

Prüfungen und Normen

Thermal insulation in accordance with DIN EN 12412-2 W/(m ² K)	U _f = up to 1.0	U _f = up to 0.96	U _f = 1.1 – 1.3
Thermal insulation characteristic values in accordance with WA-02 W/(m ² K)	U _f = 1.1	U _f = 1.0	U _f = 1.1 / U _{threshold} = 1.3
Sound reduction in accordance with DIN EN ISO 140-3 (maximum) *	R _{w,P} = 47dB	R _{w,P} = 47dB	R _{w,P} = 42dB
Burglar resistance in accordance with DIN EN 1627	RC2	RC2	RC2
Air permeability in accordance with DIN EN 12207 (class)	4	4	4 / 2
Watertightness in accordance with DIN EN 12208 (class)	9A	9A	7A / 5A
Resistance to wind load in accordance with DIN EN 12210 (class) **	C5 / B5	C5 / B5	C2 / B2
Mechanical loading in accordance with DIN EN 13115 (class)	4	4	3
Resistance to repeated opening and closing in accordance with DIN EN 12400 (class)	2	2	5
Operating forces in accordance with DIN EN 13115 (class)	1	1	1 / 2
Load-bearing capacity of safety devices	Requirement fulfilled	Requirement fulfilled	Requirement fulfilled

* Dependent on profile and glazing ** Dependent on profile

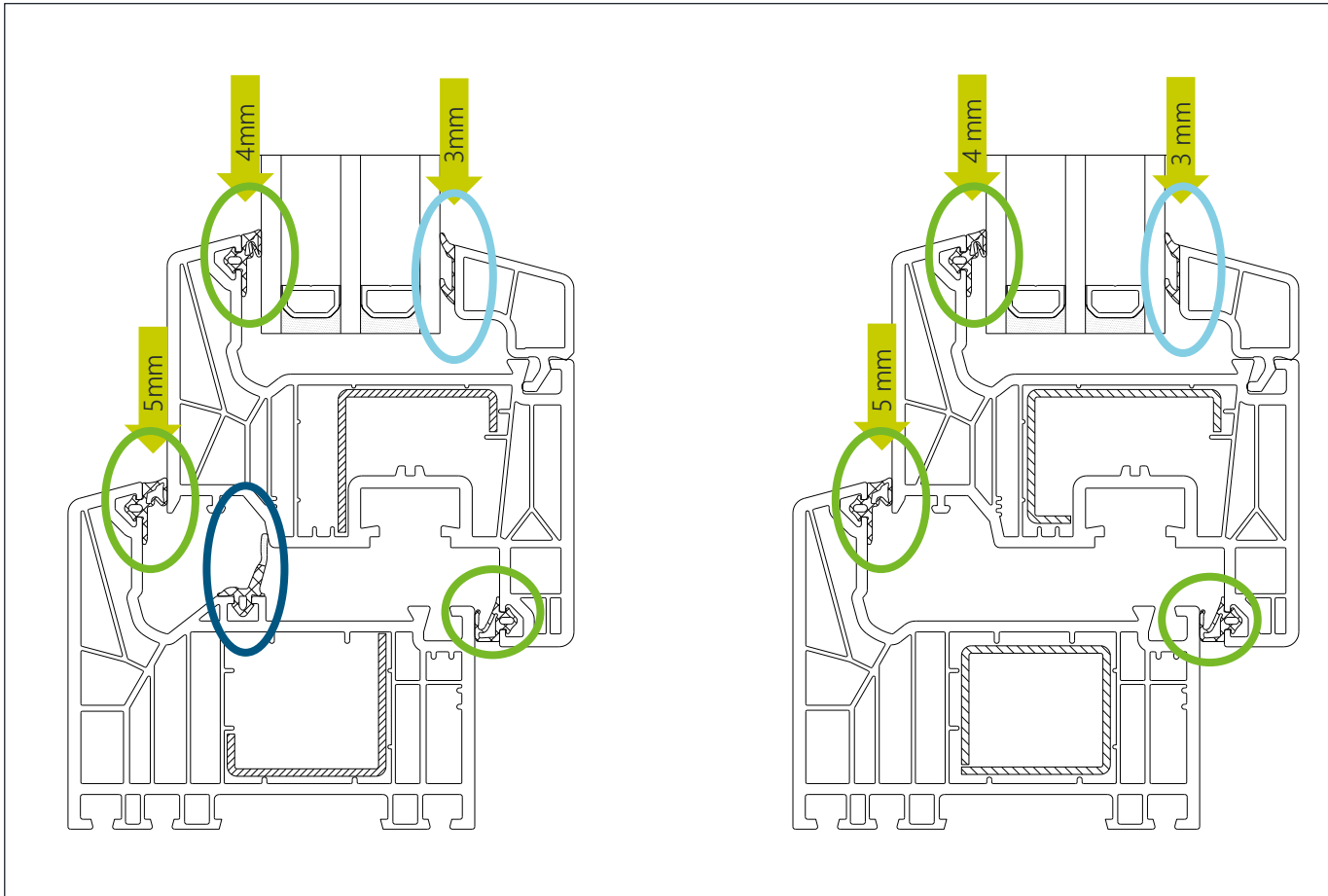
Gasket system / gasket material

02



Schüco Living

System features



Gasket system

Weldable EPDM functional gaskets (pre-fabricated)

Centre gasket made from TPE (pre-fabricated)

Uniform gasket concept in both systems

- Outer rebate and glazing gaskets identical
- No gasket replacement with fixed glazing

For glazing, the outer gasket is compressed to 4mm and forms an optimum supporting point for the glazing

Glazing bead with co-extruded gasket

Schüco Living

System features

Gasket materials made from EPDM rubber have been used successfully in practice for many years and have long been used in many areas of life.

In der Medizin
Medicine



Im Luftfahrtsektor
Aerospace sector



Im Automobilbau
Automotive engineering



Oder im Bahnoberbau
Permanent way

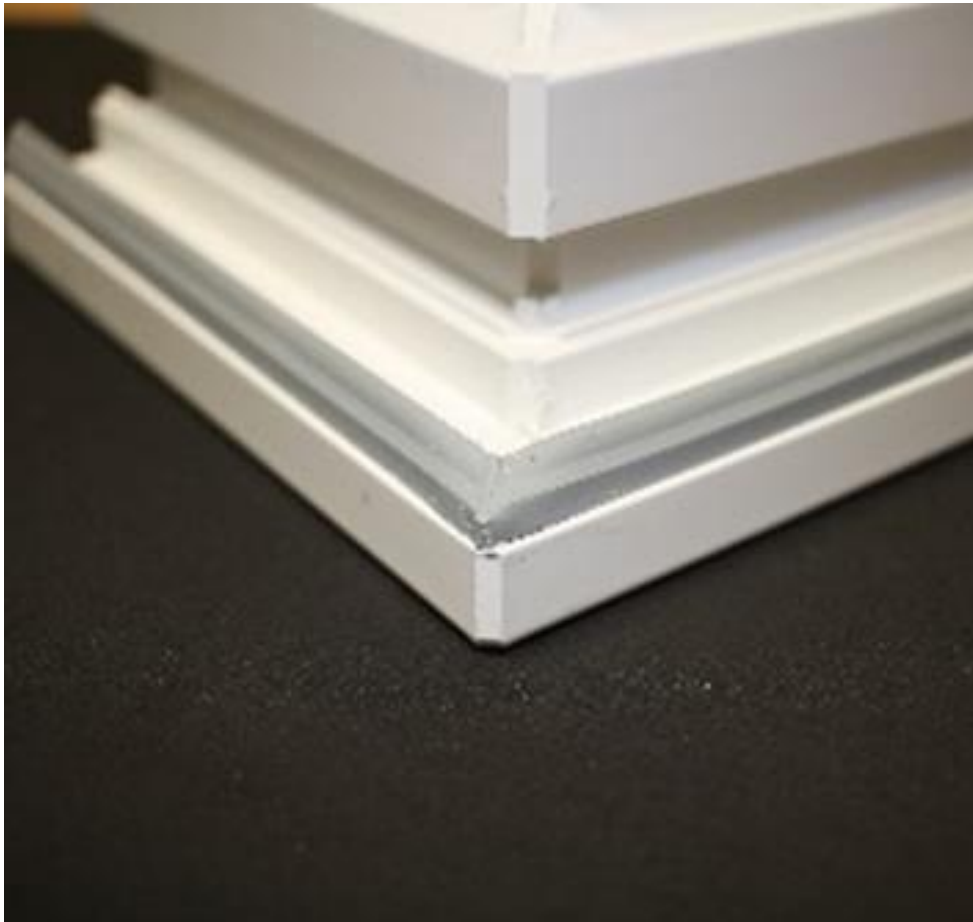


When constructing PVC-U windows, the quality of the gaskets is a critical factor in the durability of the components. Schüco is the only systems provider to offer window and door profile systems with standard EPDM gaskets.

- They offer all the properties that a good gasket requires:**
- Long-lasting weather resistance and UV resistance
 - Outstanding thermal insulation
 - Excellent sound reduction
 - Long useful life
 - Outstanding recovery properties

Schüco Living

Weld-on Schüco EPDM



World's first weld-on EPDM gasket for window construction

Reliable, cross-linked and stabilised EPDM mixture with the addition of high-performance additives

Highly elastic corner due to welding in the μm range

No merging with PVC base material or hardening of the material as with non-EPDM materials

Good internal dynamics which last for years for excellent recovery properties after deformation

Even standard EPDM achieves excellent recovery properties after 15 years, according to an independent Rosenheim study

Schüco Living

System features



RAL tested EPDM gasket system

Can be removed without leaving residues and exchanged easily

Corner area welded where the recommended machine technology is used

A continuous, closed sealing level that is even soft in the critical corner area ensures maximum functional performance

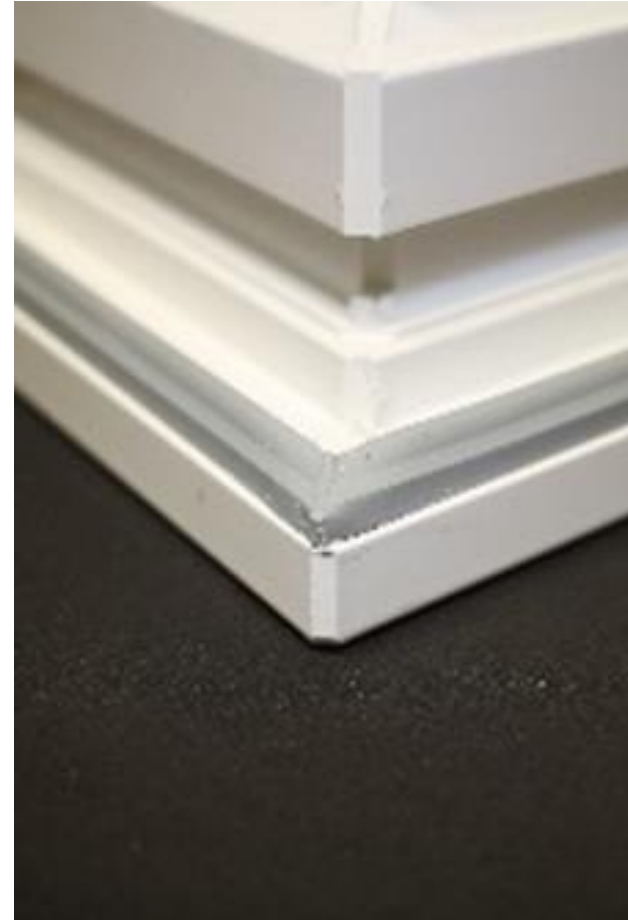
The connected corner is permanently elastic and thus resistant to deformation by compression irrespective of the temperature

Best visual results through relief-milling of the PVC profile and the use of hold-downs with gasket shapers

Schüco Living

System features

**THE NEW,
PROVEN
EPDM**



Bonding in the system

03



Schüco Living

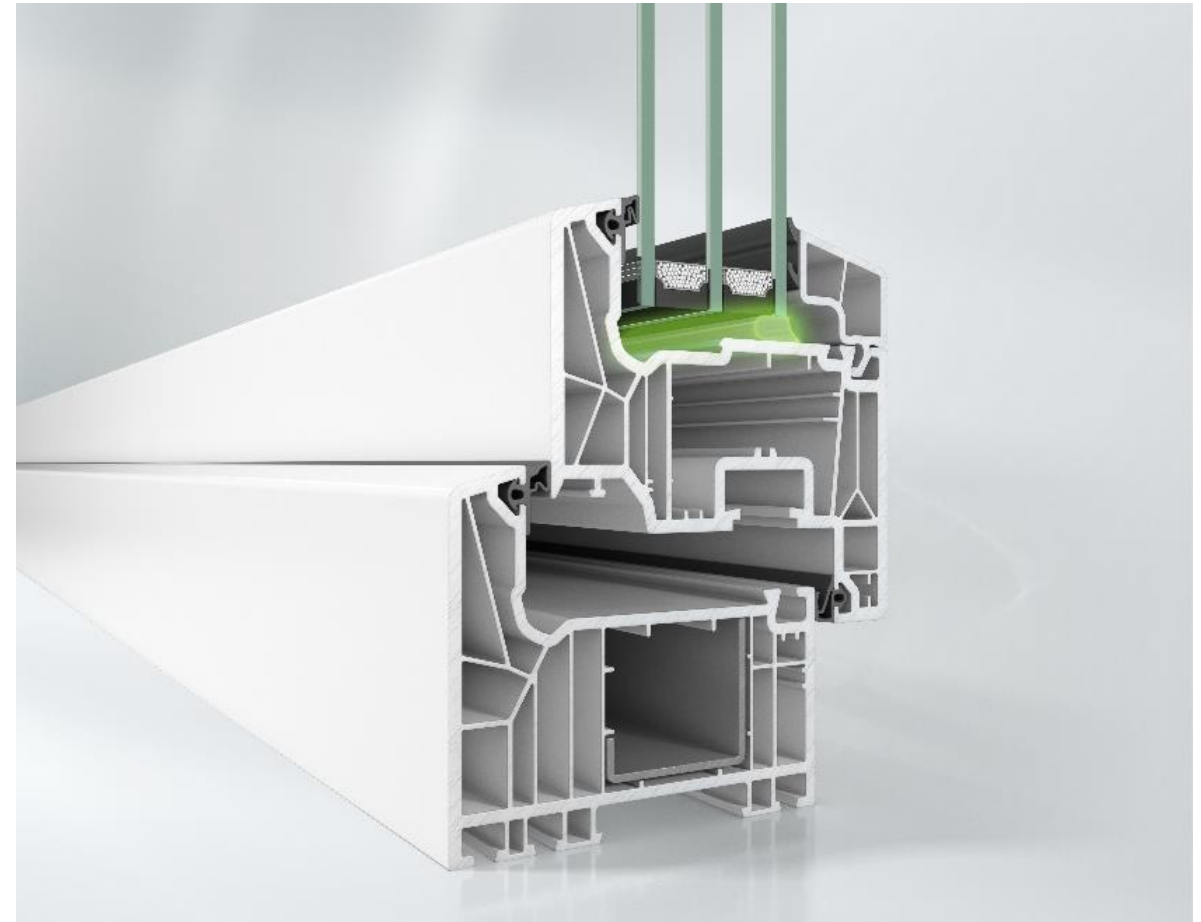
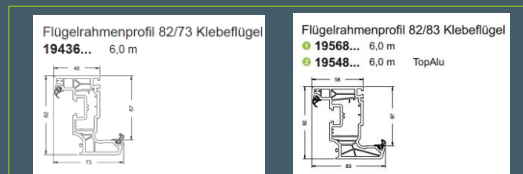
System features

Vent profiles with 0mm rebate for bonding

- Rebate base geometry for optimum adhesive use
- Standard- reinforcement chamber for less complexity
- Identical face widths and deduction dimensions to standard 73 & 83mm vent frame
- U_{f-} value: AS = 1.0 W/m²K / MD = 0.93 W/m²K

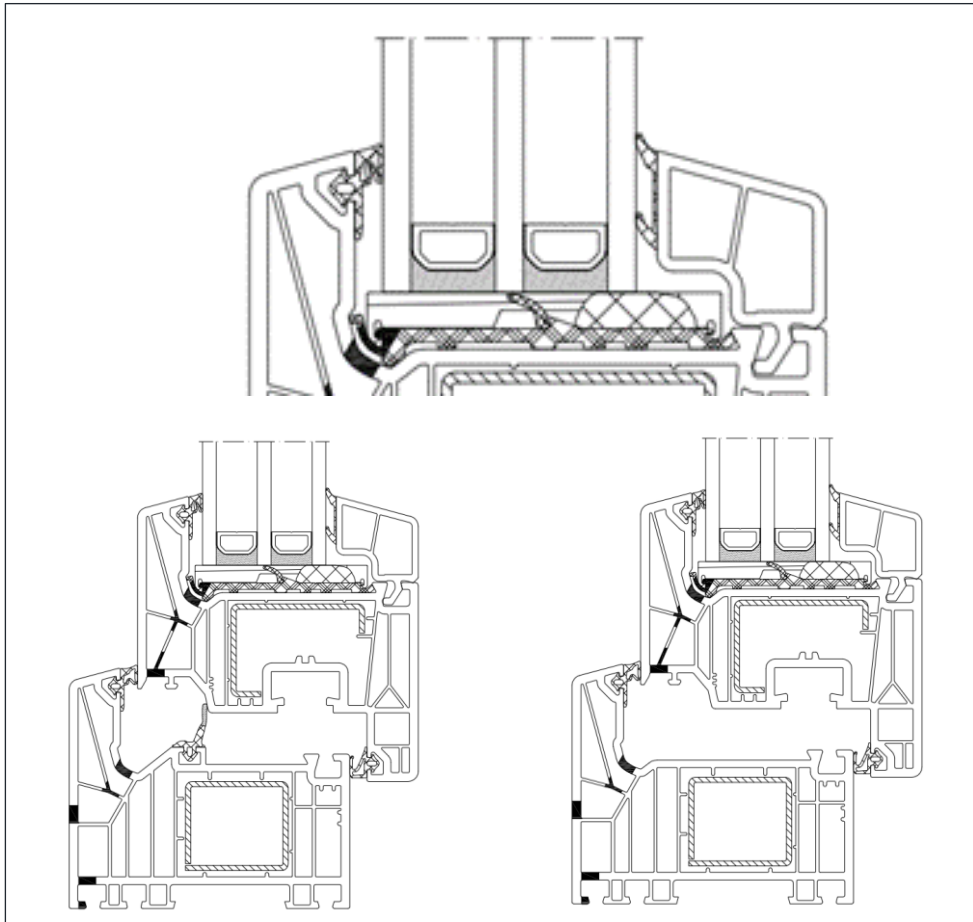
Advantages:

- No hanging or setting of the sash after assembly
- Reinforcement (white) no longer required
- → Weight saving and improvement of the U_f value
- inner pane bonded for an optimally ventilated glazing rebate
- Additional load transfer from the non-bonded panes by means of a special glazing block



Schüco Living

System features



Additive adhesive technology

Improvement in the stability of window and door units and associated increase in unit sizes.

No hanging or setting of the sash after assembly.

No special vent profiles required.

Procedure can be integrated into the standardised production process.

Units can be immediately transported after bonding and installation of glazing.

Glazing can be done on site.

Unit types / opening types

04

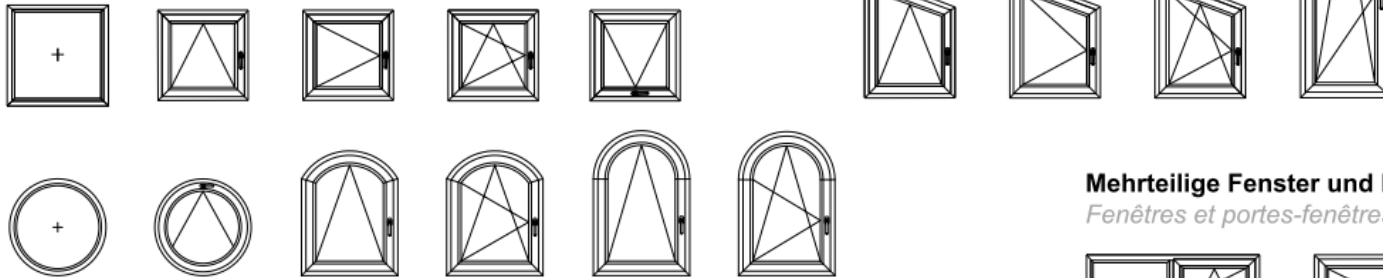


Schüco LivIng

Unit types / opening types

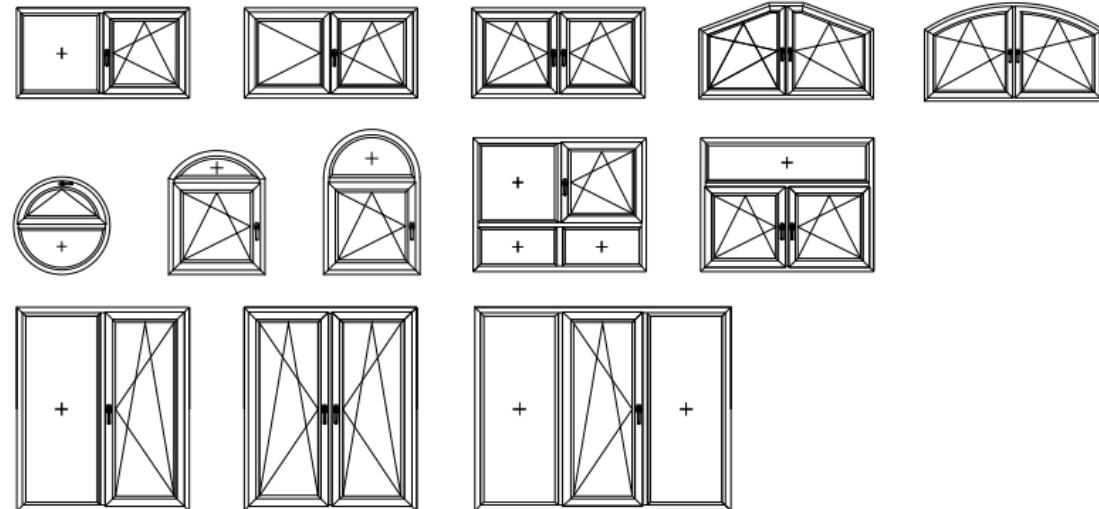
Einteilige Fenster und Fenstertüren • Single-field windows and window doors

Fenêtres et portes-fenêtres un vantail • Ventanas y puertas de una hoja



Mehrteilige Fenster und Fenstertüren • Multi-field windows and window doors

Fenêtres et portes-fenêtres deux vantaux et ensembles composés • Ventanas y puertas de varias hojas



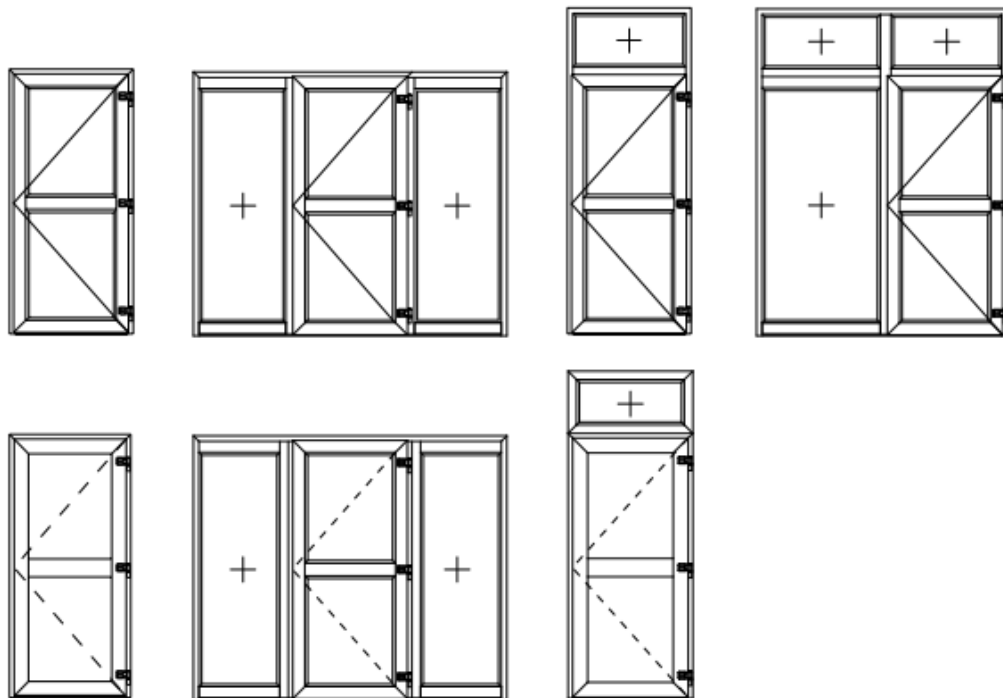
Can be implemented in the
Schüco LivIng AS and MD systems.

Schüco LivIng

Unit types / opening types

Nebeneingangstüren (NET) und Haustüren (HT) • Side entrance doors (NET) and entrance doors (HT)

Portes d'entrée principales et secondaires • Puertas secundarias y puertas de entrada

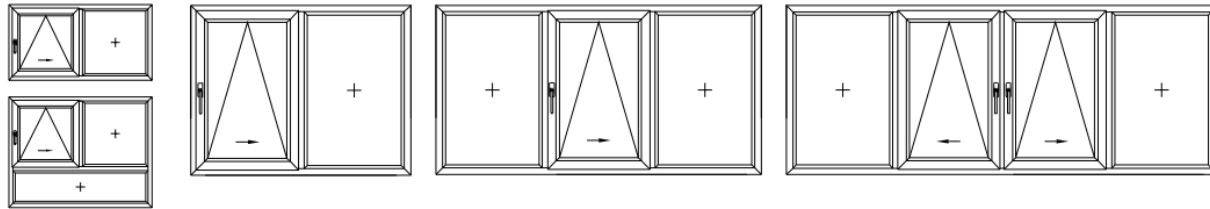


Entrance doors and side entrance doors can only be implemented in the Schüco LivIng AS system.

Schüco LivIng

Unit types / opening types

PASK-Fenster und Fenstertüren • Tilt/slide windows and window doors
Fenêtres et portes-fenêtres SCP (soufflet coulissant parallèle) • Ventanas y puertas oscilo-paralelas (PASK)



Parallel sliding (tilt/slide) can be implemented in the Schüco LivIng AS and MD systems.

3 Flügel



Schema 321

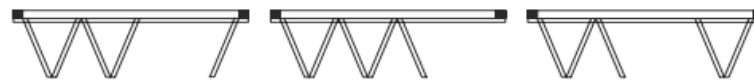
Schema 330

4 Flügel



Schema 431

5 Flügel



Schema 541

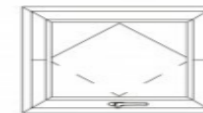
Schema 550

Schema 532

Folding systems possible in the Schüco LivIng AS system.



Box windows / HafenCity windows possible in the Schüco LivIng AS and MD systems.



Horizontal pivot windows possible in the Schüco LivIng AS system.

Schüco Living

Maximum vent sizes



Maximale Flügelbreiten (Flügelbreite x Flügelhöhe in mm) und Glasgewichte
sp2 sp2 sp2 sp2 sp2 sp2 sp2 sp2 sp2 sp2 sp2 sp2 sp2 sp2 s

Öffnungsart • sp2 sp2 sp2		Windwiderstandsklasse nach EN 12210 • sp2 sp2 sp2 sp2 sp2 sp2 sp2						
		B5		B3		B2		
		weiß sp2	foliert sp2 sp2	weiß sp2	foliert sp2 sp2	weiß sp2	foliert sp2 sp2	
Einfügelige Fenster und Fenstertüren sp2 sp2 sp2 sp2 sp2 sp2 sp2 sp2 s	73	1300 x 1443	1300 x 1343	1300 x 1643	1300 x 1543	1300 x 1643	1300 x 1543	60 kg
	83	1500 x 1660	1500 x 1500	1500 x 1860	1500 x 1700	1500 x 1860	1500 x 1700	90 kg
	83*	1300 x 1800	1300 x 1800	1400 x 1740	1400 x 1640	1400 x 1740	1400 x 1640	90 kg
	110	1500 x 1739	1500 x 1736	1500 x 1939	1500 x 1936	1500 x 1939	1500 x 1936	120 kg
Stulpfenster und -fenstertüren sp2 sp2 sp2 sp2 sp2 sp2 sp2	73	1300 x 1443	1300 x 1343	1300 x 1643	1300 x 1543	1300 x 1643	1300 x 1543	60 kg
	83	1350 x 1900	1350 x 1740	1350 x 2100	1350 x 1940	1350 x 2100	1350 x 1940	90 kg
	83*	1300 x 1436	1300 x 1364	1300 x 1650	1300 x 1568	1300 x 1854	1300 x 1761	90 kg
	110	1350 x 2023	1350 x 2007	1350 x 2223	1350 x 2207	1350 x 2223	1350 x 2207	120 kg
Einfügelige Nebeneingangstüren sp2 sp2 sp2 sp2 sp2 sp2 sp2	110	—	—	—	—	1000 x 2200	1000 x 2100	80 kg
Zweifügelige Nebeneingangstüren sp2 sp2 sp2 sp2 sp2 sp2 sp2	110	—	—	—	—	1000 x 2200	1000 x 2100	80 kg
Einfügelige Haustüren sp2 sp2 sp2 sp2 sp2 sp	125	—	—	—	—	1100 x 2350	1100 x 2200	100 kg
Zweifügelige Haustüren sp2 sp2 sp2 sp2 sp2 sp2	125	—	—	—	—	1000 x 2350	1000 x 2200	100 kg

* Klebeflügel



Maximale Flügelhöhen (Flügelbreite x Flügelhöhe in mm) und Glasgewichte
sp2 sp2 sp2 sp2 sp2 sp2 sp2 sp2 sp2 sp2 sp2 sp2 sp2 sp2 sp2

Öffnungsart • sp2 sp2 sp2		Windwiderstandsklasse nach EN 12210 • sp2 sp2 sp2 sp2 sp2 sp2 sp2						
		B5		B3		B2		
		weiß sp2	foliert sp2 sp2	weiß sp2	foliert sp2 sp2	weiß sp2	foliert sp2 sp2	
Einfügelige Fenster und Fenstertüren sp2 sp2 sp2 sp2 sp2 sp2 sp2 sp2 s	73	700 x 2300	700 x 2200	700 x 2500	700 x 2400	700 x 2500	700 x 2400	60 kg
	83	900 x 2400	1000 x 2300	900 x 2600	1000 x 2500	900 x 2600	1000 x 2500	90 kg
	83*	1000 x 2100	1100 x 2000	900 x 2400	1000 x 2200	900 x 2400	1000 x 2200	90 kg
	110	1150 x 2400	1100 x 2300	1150 x 2600	1100 x 2500	1150 x 2600	1100 x 2500	120 kg
Stulpfenster und -fenstertüren sp2 sp2 sp2 sp2 sp2 sp2 sp2	73	400 x 2300	400 x 2200	600 x 2500	600 x 2400	700 x 2500	700 x 2400	60 kg
	83	500 x 2400	500 x 2300	700 x 2600	600 x 2500	900 x 2600	1000 x 2500	90 kg
	83*	400 x 1900	400 x 1805	400 x 2250	400 x 2138	400 x 2400	500 x 2200	90 kg
	110	800 x 2400	800 x 2300	1100 x 2600	1000 x 2500	1100 x 2600	1100 x 2500	120 kg
Einfügelige Nebeneingangstüren sp2 sp2 sp2 sp2 sp2 sp2 sp2	110	—	—	—	—	1000 x 2200	1000 x 2100	80 kg
Zweifügelige Nebeneingangstüren sp2 sp2 sp2 sp2 sp2 sp2 sp2	110	—	—	—	—	1000 x 2200	1000 x 2100	80 kg
Einfügelige Haustüren sp2 sp2 sp2 sp2 sp2 sp	125	—	—	—	—	1100 x 2350	1100 x 2200	100 kg
Zweifügelige Haustüren sp2 sp2 sp2 sp2 sp2 sp2	125	—	—	—	—	1000 x 2350	1000 x 2200	100 kg

* Klebeflügel

Surface finishing

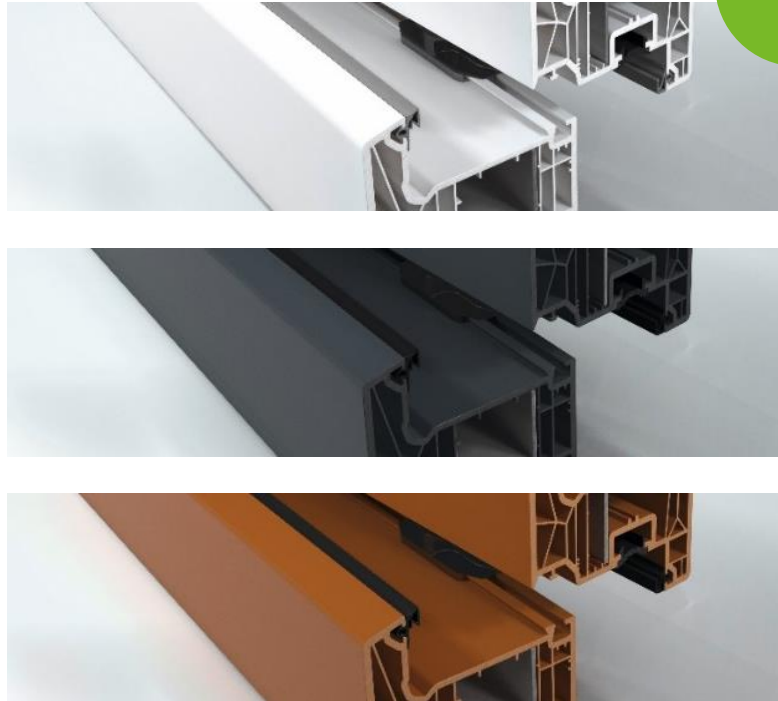
05



Schüco Living

Surface finishing

Coloured
base material



Schüco
TopAlu



Schüco
UnlimitedFinish



Schüco Living

Surface finishing



Schüco UnlimitedFinish

- 1 Range of more than 200 standard and special foils in metallic and single colours or woodgrain finishes
- 2 Uniform colour concept for all Schüco PVC-U window, door and sliding systems
- 3 Fast availability even of foils that are not kept in stock
- 4 Minimum delivery quantity: 1 x 6m profile












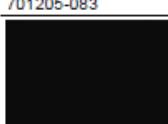
In the Focusing system, the film extends behind the glazing rebate gasket.
No gaps between the gasket and the film ("white edge")

Schüco Living

Surface finishing

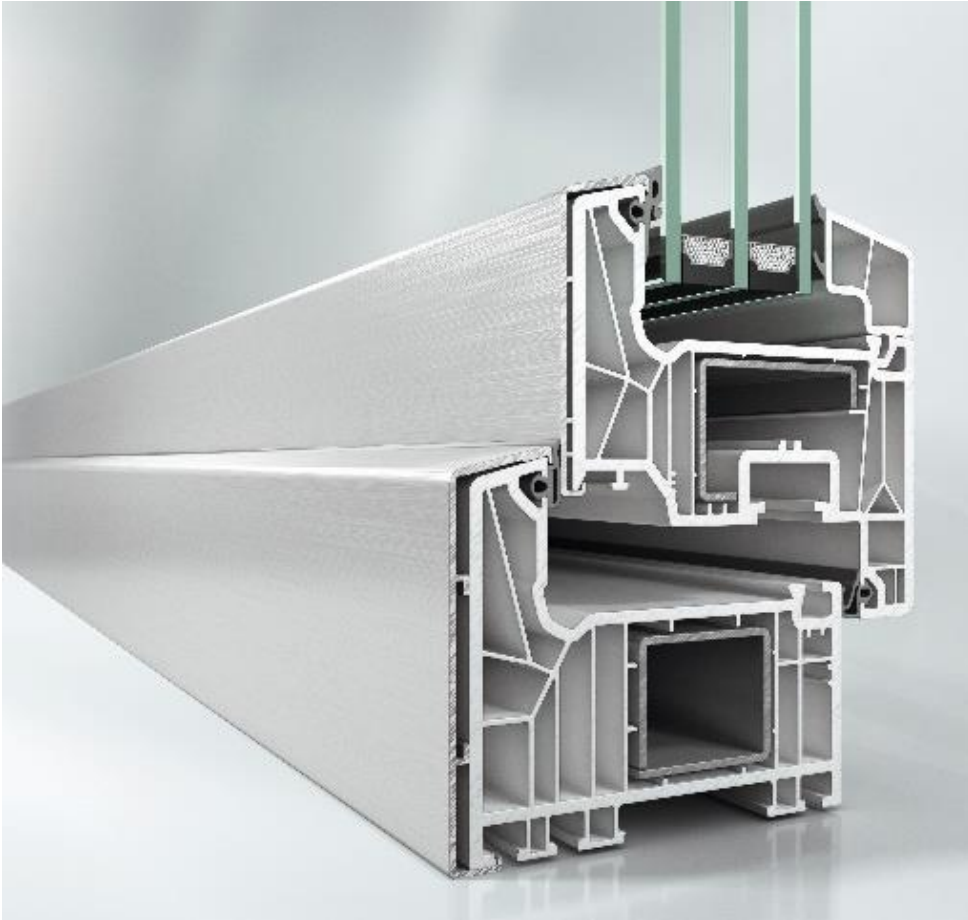
Colours in stock

Folien Lieferzeit I	Abbildung	Farbbezeichnung		
3.0029 005-101100 49158	 Golden Oak	GO	420	610
9.2097 013-116700 2097013-187	 Mahagoni	MA	—	580
436-2048	 Nussbaum	NB	354	460
02.11.81.000101-116700 851805-187	 Braun Dekor	BD	—	590

Folien Lieferzeit I	Abbildung	Farbbezeichnung		
436-5003A	 Anthrazitgrau, ähnlich RAL 7018	AG	358	730
436-7003A	 Anthrazitgrau, ähnlich RAL 7018 (glatt)	AG	452	127
02.11.71.000039-808300 701205-083	 Basaltgrau, ähnlich RAL 7012 (glatt)	BG	—	126
446-8062	 Jet-Black matt	JBL	—	625

Schüco Living

Surface finishing



Schüco TopAlu

Efficient fabrication and simple clip-on installation

Supplied with coating

First-class design options for the aluminium surface

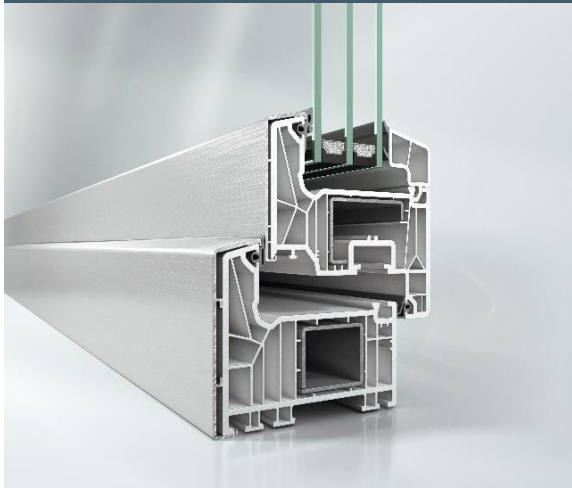
Colour variation between outer frame and vent frame possible

Allows the perfect integration of PVC-U units in aluminium façades

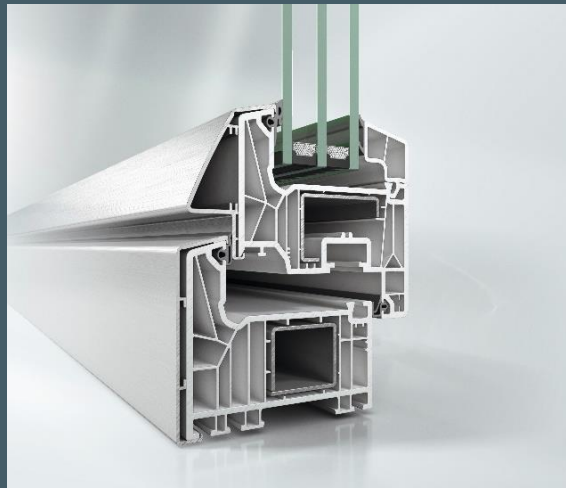
Schüco Living

TopAlu surface finishing

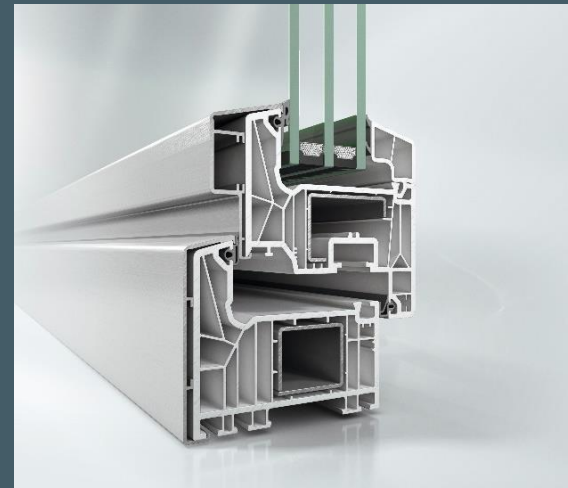
Besides the standard rebated contour Schüco offers **3 additional design options:**



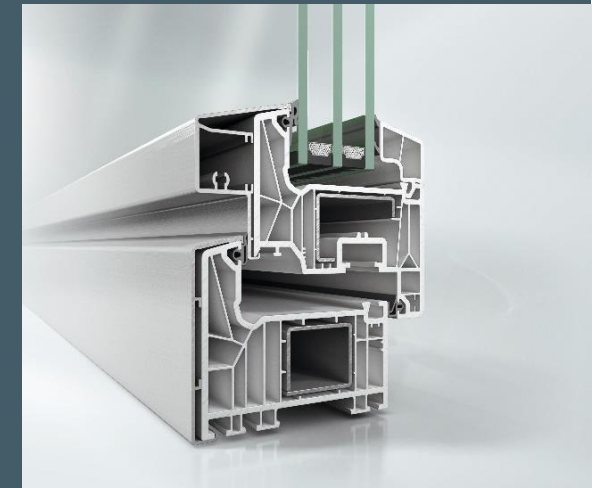
contour Classic



contour Vision



contour Viva
(semit-rebated)



contour Pure
(flush-fitted)

For more efficiency in fabrication we offer a wide range of profiles with pre-inserted TopAlu gasket.

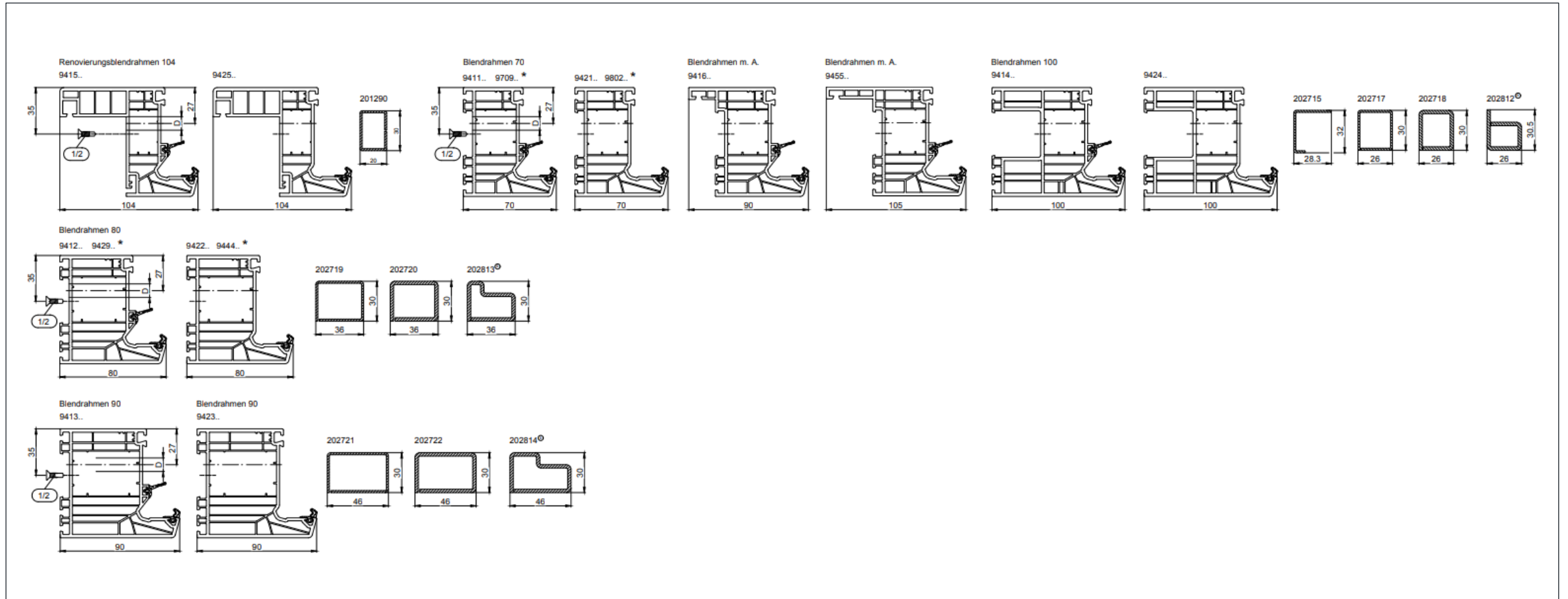
Overview of range

06



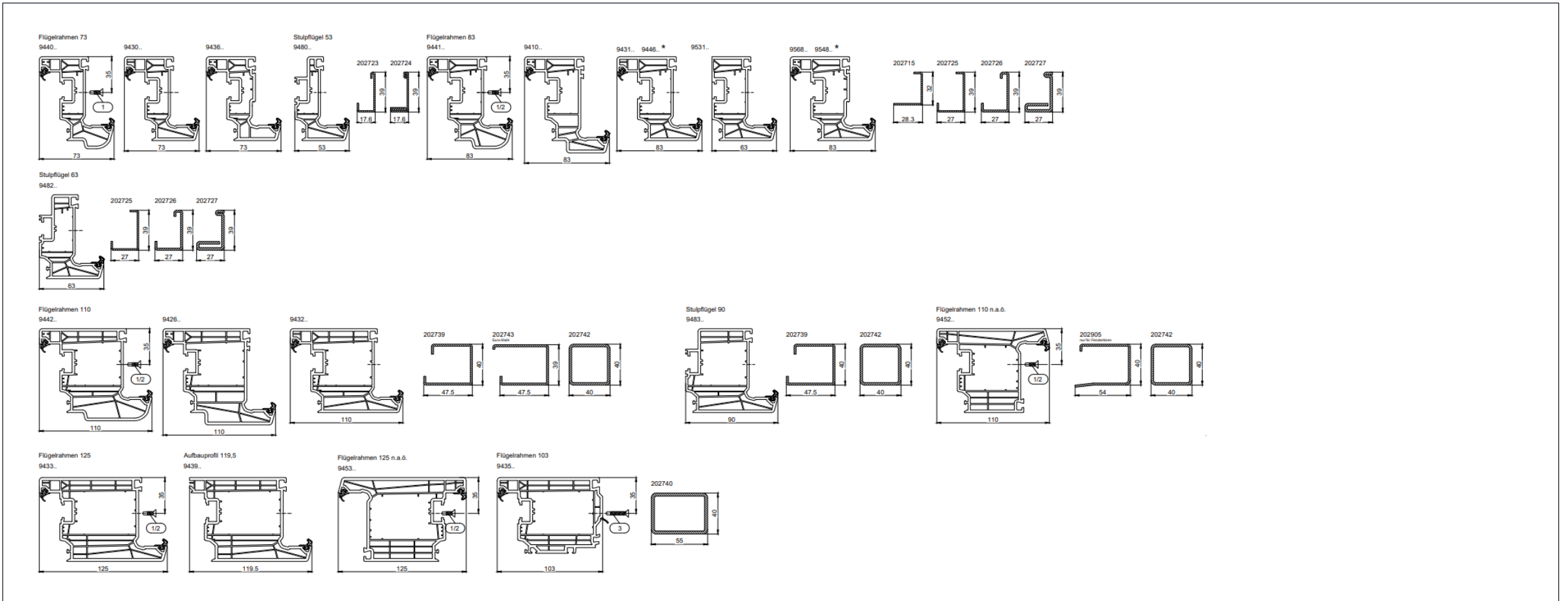
Sortiment

Outer frame



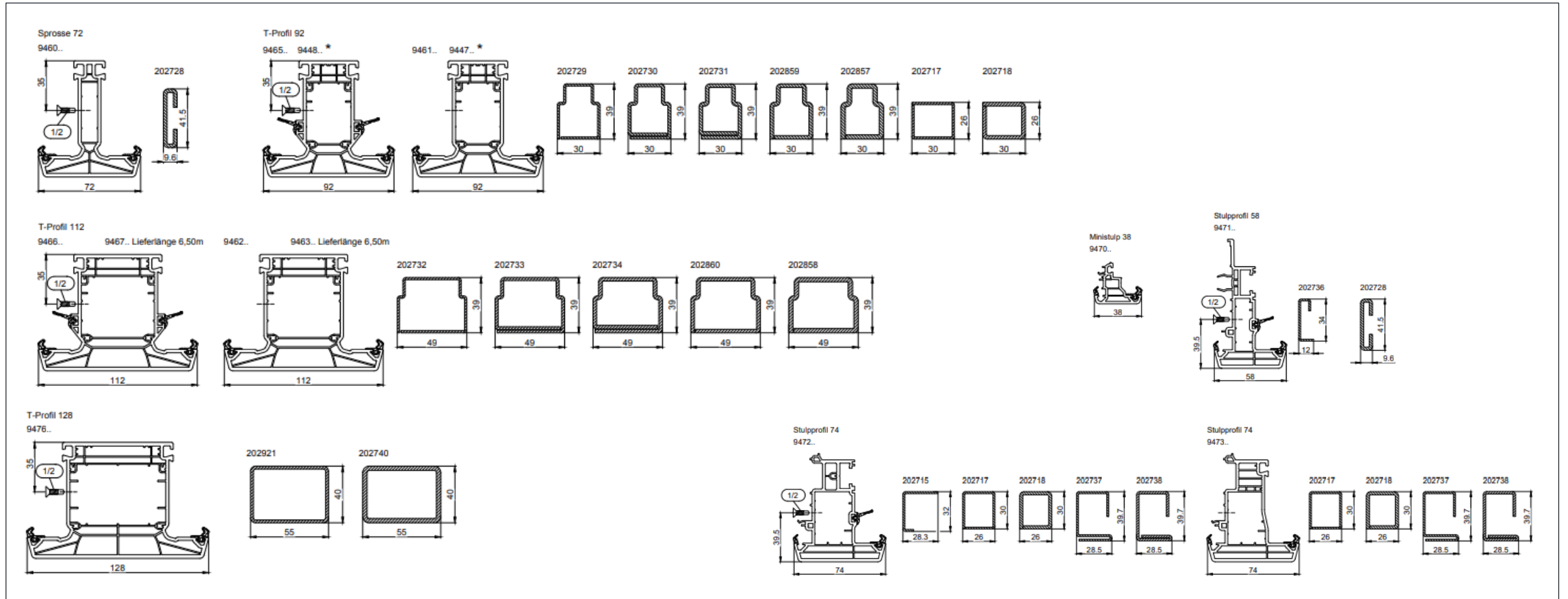
Sortiment

Vent frame



Sortiment

Mullion and double vent profile



Schüco Living

Overview of range – glazing beads



Glazing beads with “angular” design and co-extruded gasket

Glazing bead with “Design” contour and in-extruded, replaceable gasket

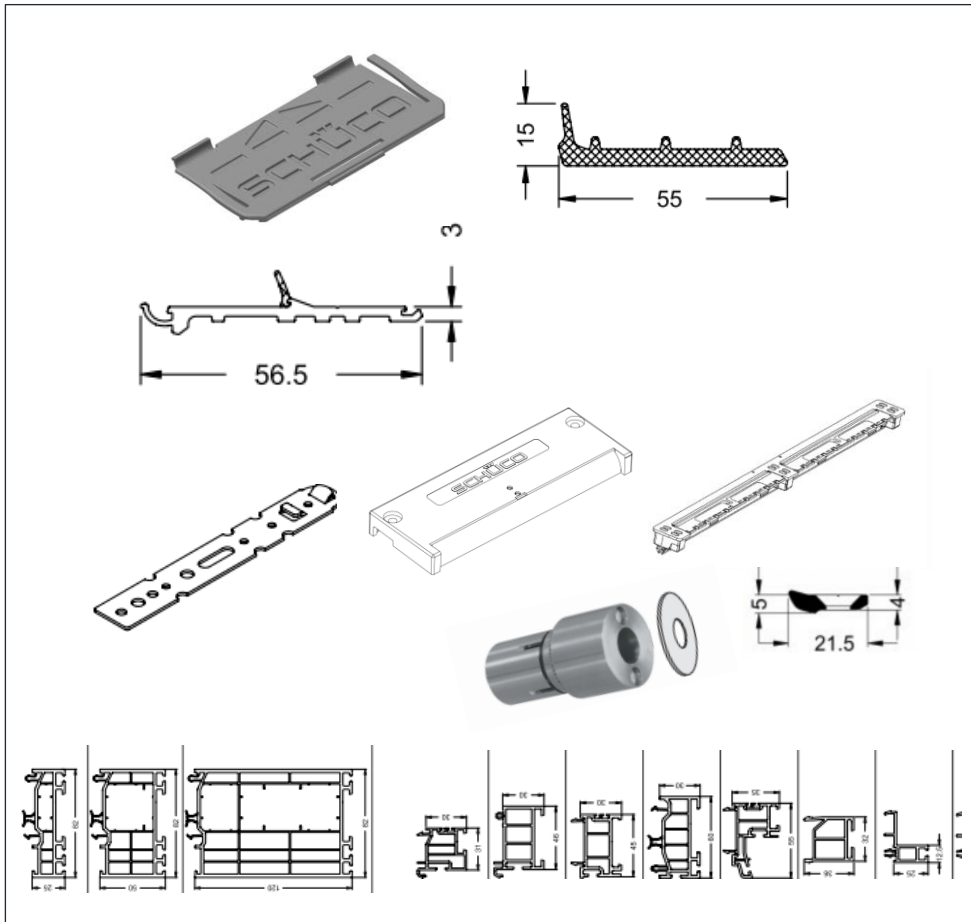
2mm dimensional increments in profile make it possible to cover different glass thicknesses without replacing the gasket

Optimised chamfer for shadow groove

Identical glazing beads for vent frame and outer frame fixed glazing

Schüco Living

System accessories



Glazing bridges with self-locating clamp for secure and easy installation

Insulating rebate insert and back insulation in order to improve U values

Adhesive clip-profile for the use of additive adhesive technology

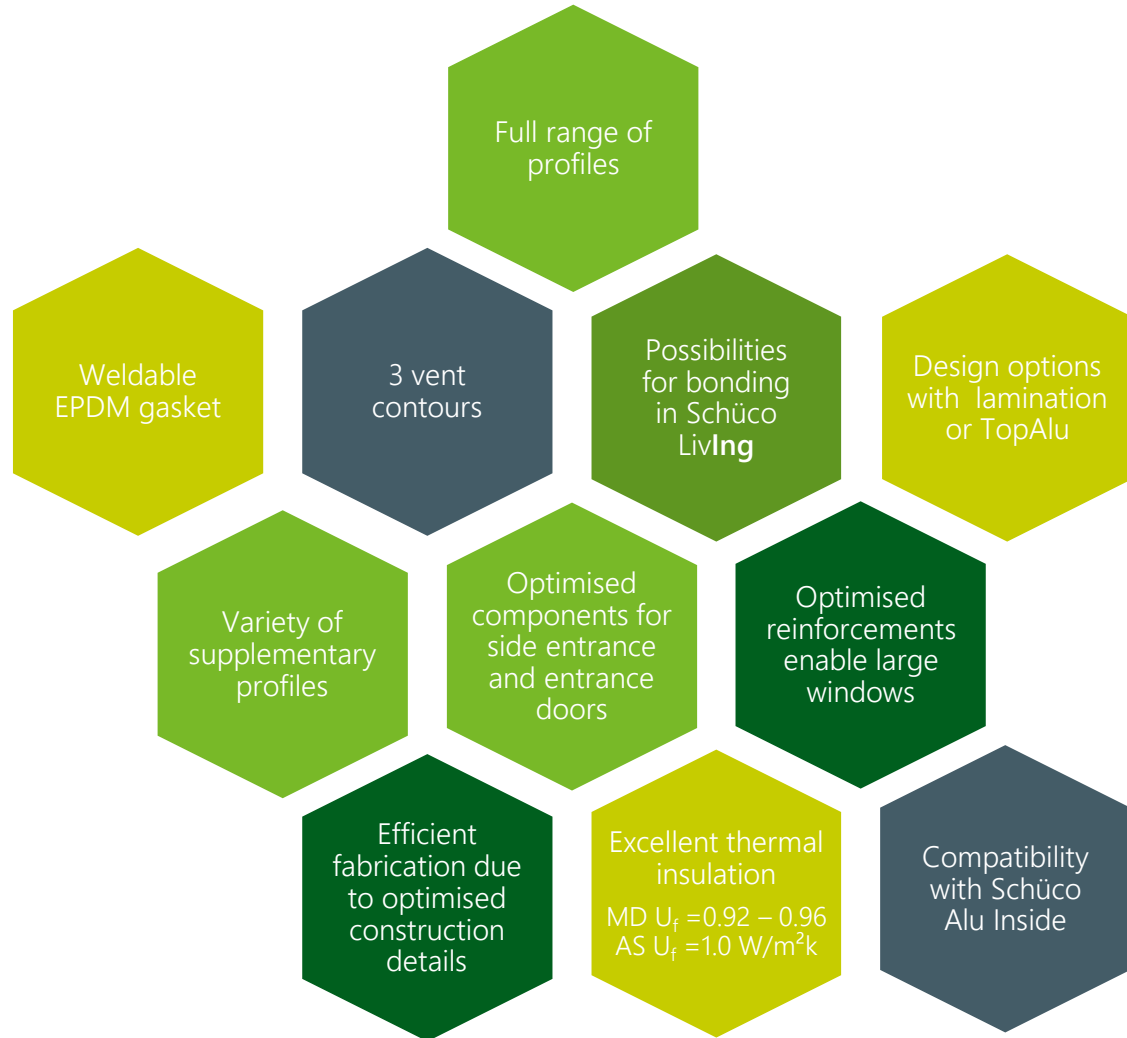
VentoAir and VentoAir+ for AS and MD

Fixing lug

Schüco profile anchor bolt and aluminium rebate strip for fixing the safety barrier

Wide range of supplementary profiles (extensions, base profiles, couplings etc.)

Schüco LivIng



One system,
but 2 versions (AS / MD)

Thank you!

