

Schüco Easy Slide

System presentation



Schüco EasySlide

System presentation

Weißenfels, PVC-U system technology

SCHÜCO

Contents

- 1. System features**
- 2. System details**
- 3. Overview of range**
- 4. System section details**

System features

01



Schüco EasySlide

System features



Lift-and-slide door that is based on, and thus fully compatible with, the successful 70 mm Schüco CT 70 system

Ensures economical and efficient fabrication

Vent profile matches the Schüco CT 70 system with a 70 mm basic depth

Frame trim depth of 167 mm for use in renovations

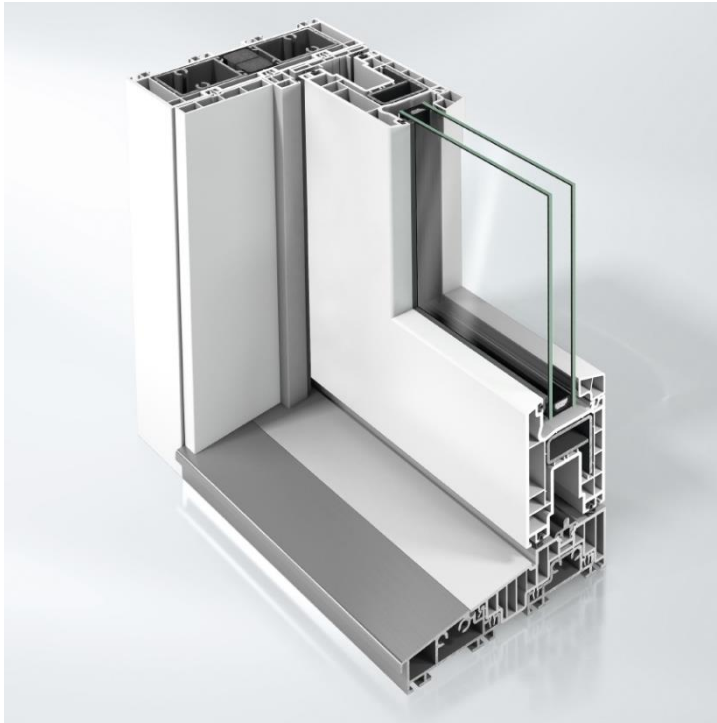
Flexible design with a wide range of opening types.

Improved thermal insulation thanks to new, optimised design of threshold area

Optimised system reliability thanks to changes to design details in the gasket and corner areas

Schüco EasySlide

System features



Maximum glazing thickness of 40 mm (42 mm with gasket replacement)

Excellent average U_f value of 1.47 W/m²K as standard

Can optionally be retrofitted with TopAlu

Security up to RC 2

Economic fabrication thanks to a limited range of components

Threshold can be continuous or mounted in between

Lift-and-slide roller carriages installed without the need for time-consuming machining

May include additional comfort features such as Soft-Close, Soft-Handle or Soft-Lift

Schüco EasySlide

System features



System details

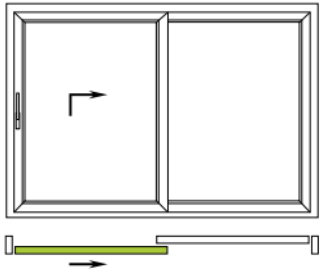
02



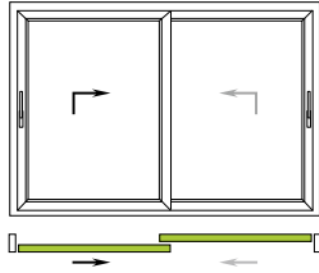
Schüco EasySlide

System details

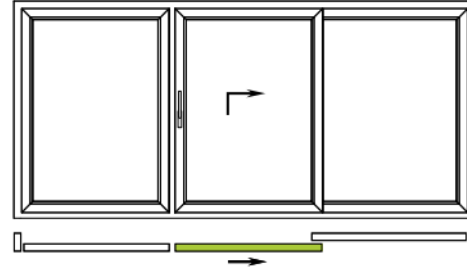
Type 01 ^{1) 2)}



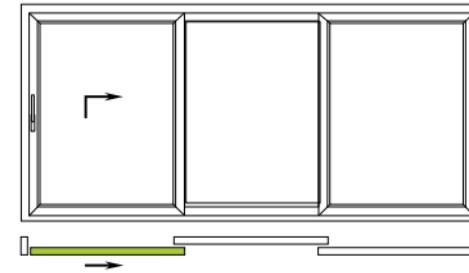
Type 02



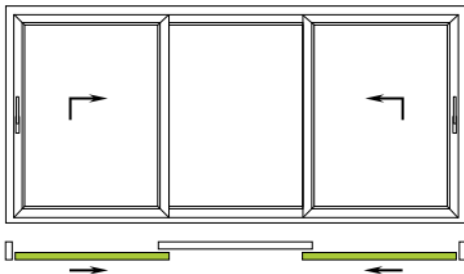
Type 03



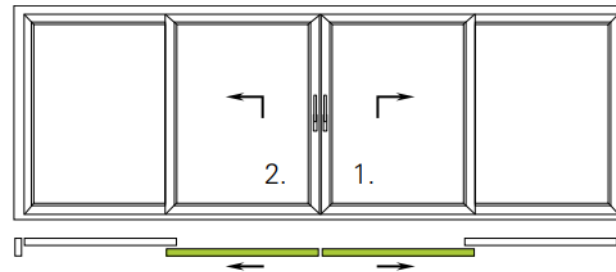
Type 04 ²⁾



Type 05 ²⁾



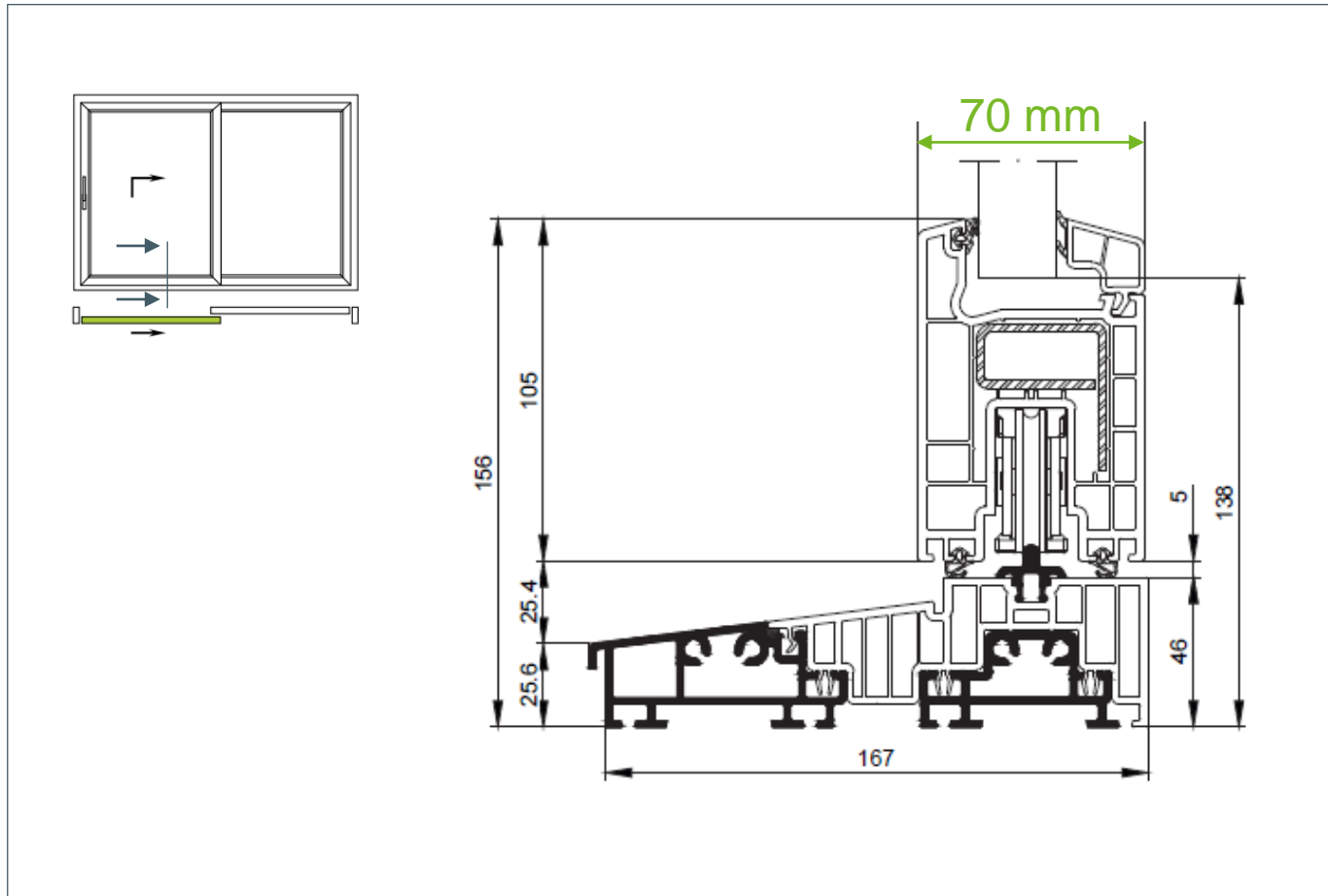
Type 06



- 1) Can optionally be configured with TopAlu
- 2) Can optionally be configured with RC2

Schüco EasySlide

System details

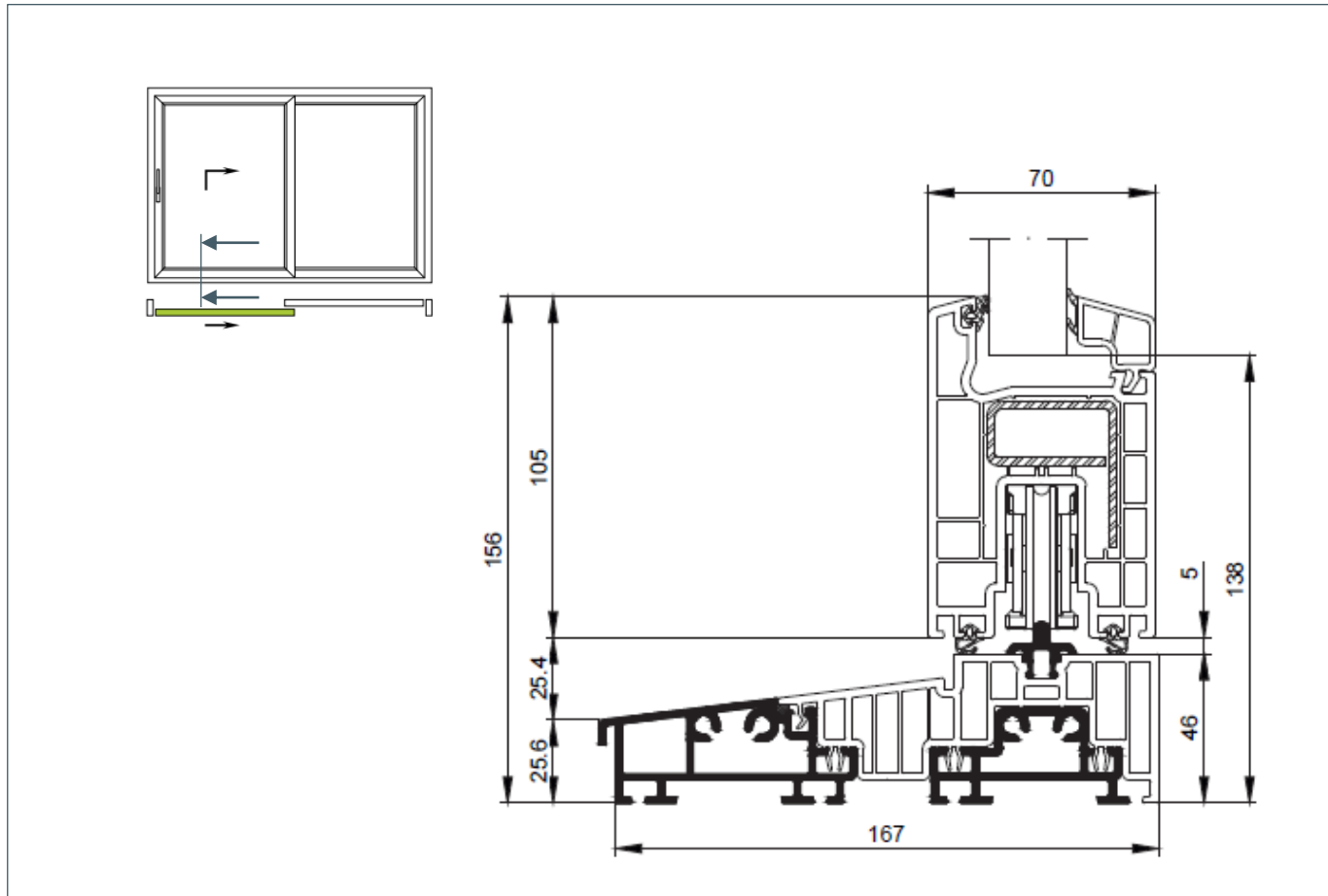


Vent

- Profile basic depth: 70 mm
- Face width: 105 mm →
- Use of Schüco CT 70 system components
- Profile machining, such as recesses for handles and flush pull handles, can be carried out on CNC machines.
- Concealed profile drainage and pressure equalisation
- Sealed all the way round over two stages on the inside and outside of the unit.

Schüco EasySlide

System details



Threshold

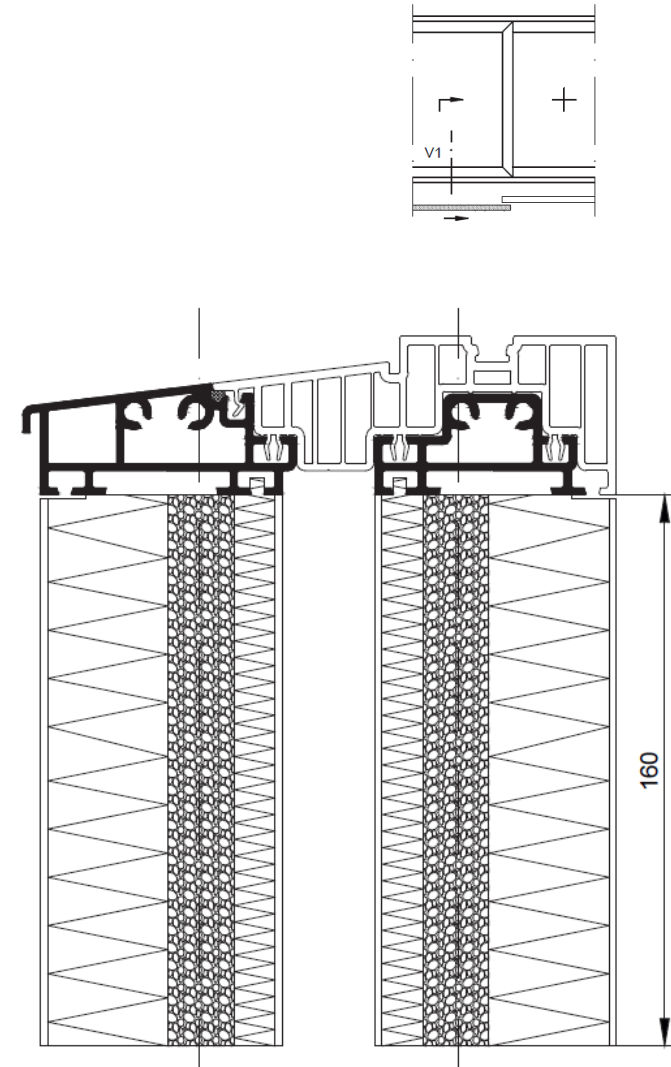
- Profile basic depth: 167 mm
- Face width, inside: 46 mm
- 11-chamber design
- Composite design rolled in the factory for optimal load transfer
- Optimised isothermal flow
- Threshold can be continuous or mounted in between
- Fast installation using four screw ports

Schüco EasySlide

System details

Threshold

- Suitable for the use of outer frame extensions, base profiles and a range of attachment profiles and supplementary profiles from the Schüco CT 70 range
- Special insulation attachment profiles available in heights of 100 mm and 160 mm
- Aluminium kick plate on the outside can be made 48 mm deeper with a threshold facing profile

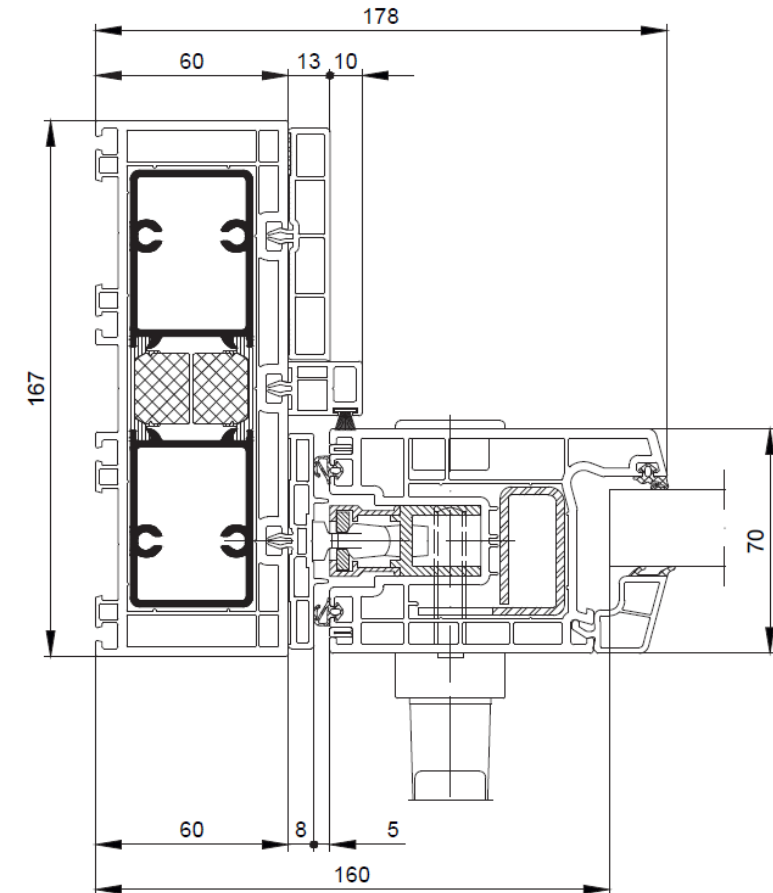
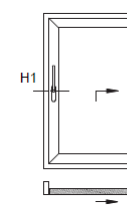


Schüco EasySlide

System details

Outer frame profile

- Profile basic depth: 167 mm
- Face width: 60 mm
- Reinforcement: thermally profile aluminium profile for maximum thermal insulation or, alternatively, thermally non-broken aluminium
- Efficient installation: no machining or connectors necessary. Screw ports ensure quick installation and maximum stability of the frame construction.



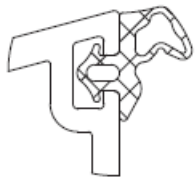
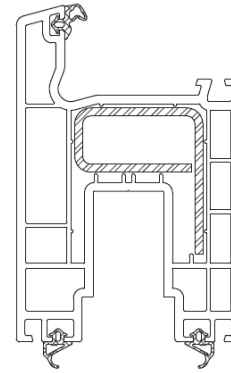
Schüco EasySlide

System benefits

Sealing technology

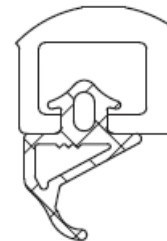
Vent frames are supplied with EPDM rubber glazing gaskets machine-rolled in the factory

EPDM gaskets have excellent recovery properties and permanent elasticity.



Rebate and glazing rebate gasket

- EPDM
- Mitred in the corner area
- Rolled in the factory
- Can be replaced



Vent gasket

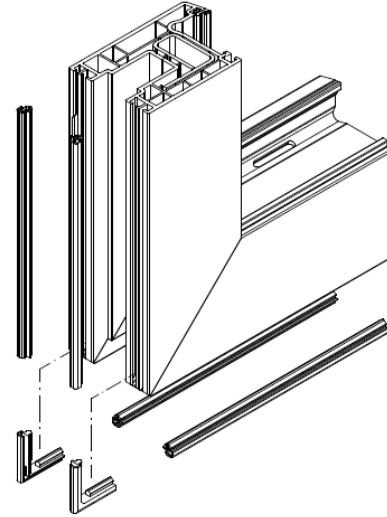
- EPDM
- Butt-joined in the corner area with gasket corners and bonded
- Manually rolled
- Can be replaced

Schüco EasySlide

System benefits

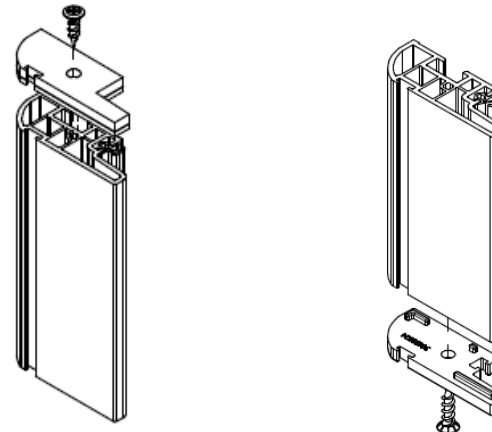
Optimised gasket corners for greater system reliability

- TPE moulded parts
- At the bottom of the sliding vent, on the handle side
- At the top and bottom of the fixed vent, on the frame trim side
- Butt-joined with rebate gasket and bonded



Sealing end caps at the centre joint

- Moulded parts for sealing and protecting the seals in the threshold area
- Fixed vent, top / sliding vent, bottom



Schüco EasySlide

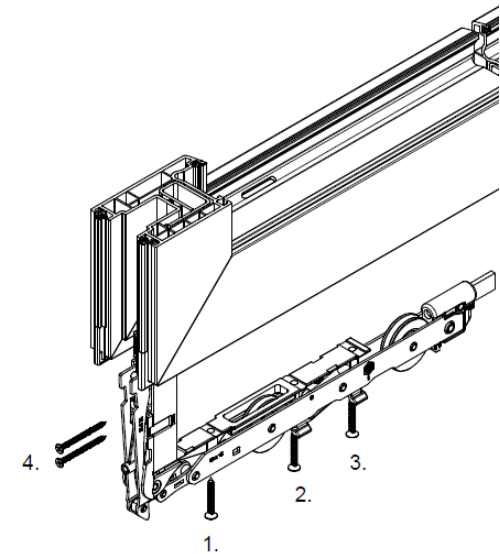
System details

Fitting

The lift-and-slide roller carriages are installed without the need for additional time-consuming machining in the area of the fittings groove of the lift-and-slide vent frame.

In addition to time savings, this offers the following additional benefits:

- The reinforcing chamber of the vent frame remains completely sealed.
- The same cross sections of steel are used all the way round.

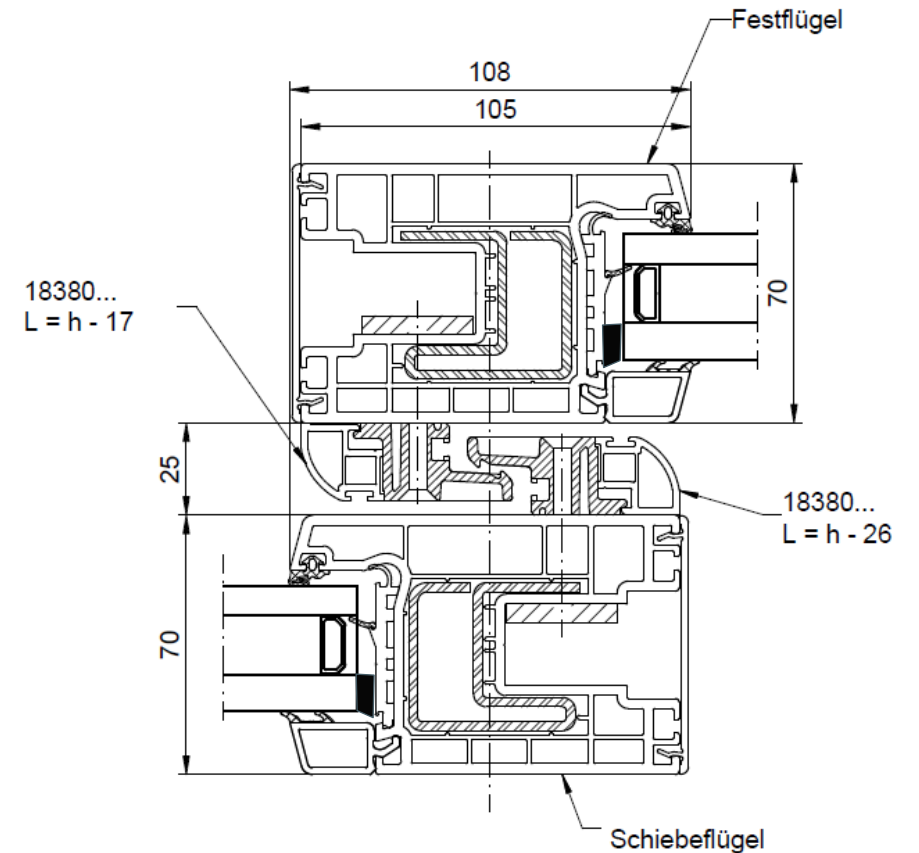
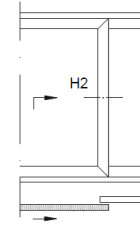


Schüco EasySlide

System details

Optimised RC 2 solution

- Simple fabrication
- System-tested solution
- Secure glass connection thanks to additive adhesive technology
- Machining jigs for fast fabrication



Overview of range

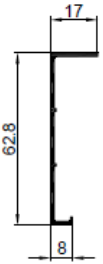
03



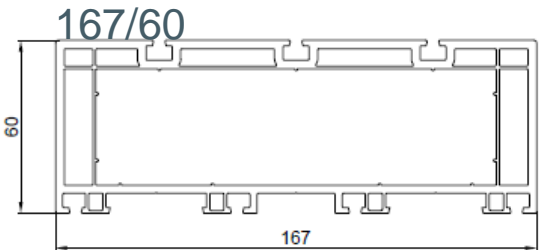
Schüco EasySlide

Overview of range

TopAlu 60

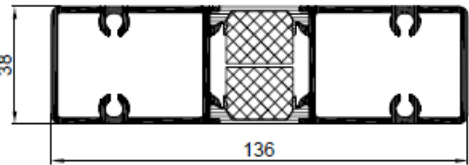


Frame trim profile



Reinforcements for frame trim

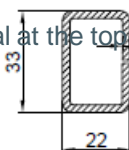
profile 136/38



Reinforcement

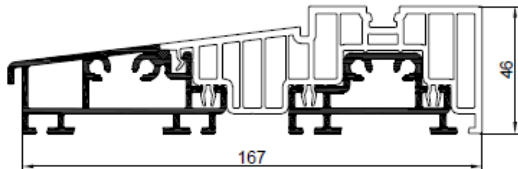
22/33/2.5

Horizontal at the top with roller shutters



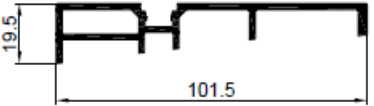
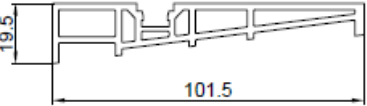
Door threshold profile

167/46

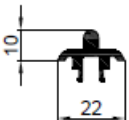


Built-on profiles for door threshold

101.5/19.5



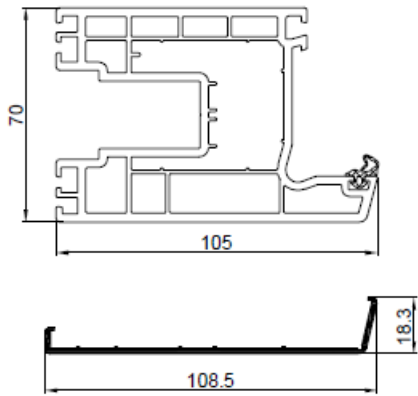
Track 22/10



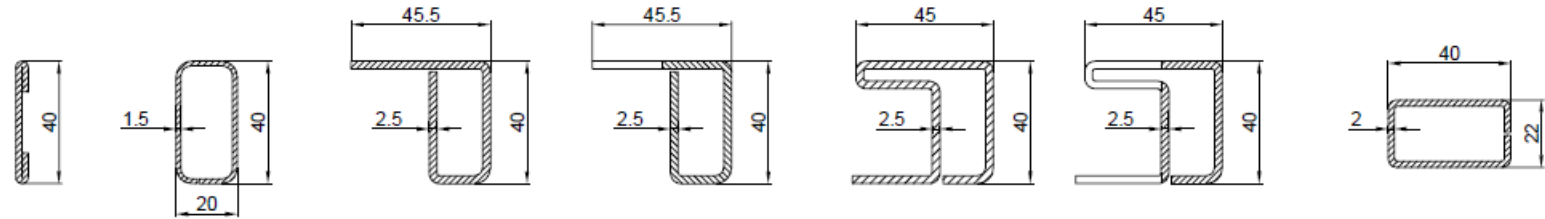
Schüco EasySlide

Overview of range

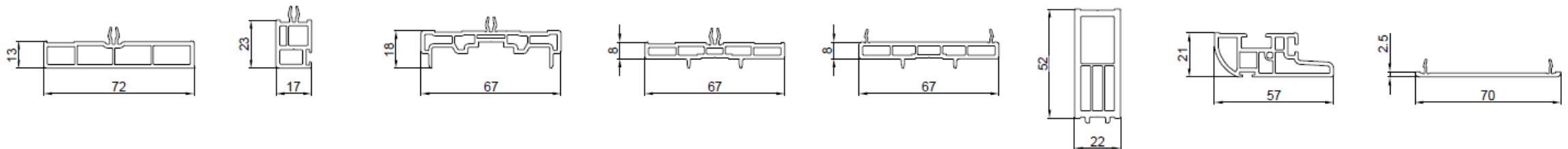
Vent frame profile 70/105



Reinforcements for vent frame profile



TopAlu 105



Cladding profile
72/13

Attachment bar
17/23

Built-on profile
67/11

Entry profile

Double-vent
entry profile

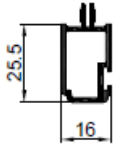
Spacer
profile
22/52

Interlock 57/21

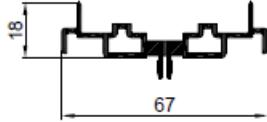
Cladding profile
70

Schüco EasySlide

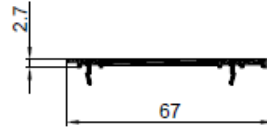
Overview of range



Outer frame extension
16/25.5



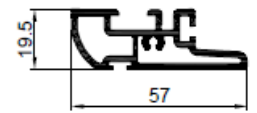
Built-on profile
67/11



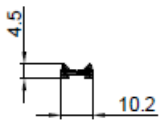
Cladding profile 67



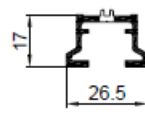
Cladding profile 72/13



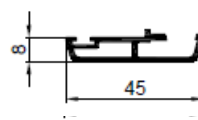
Interlock 57/19.5



Aluminium
adapter 10/4



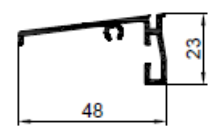
Guide track, pre-punched



Impact strip 8/45



Aluminium
spacer profile

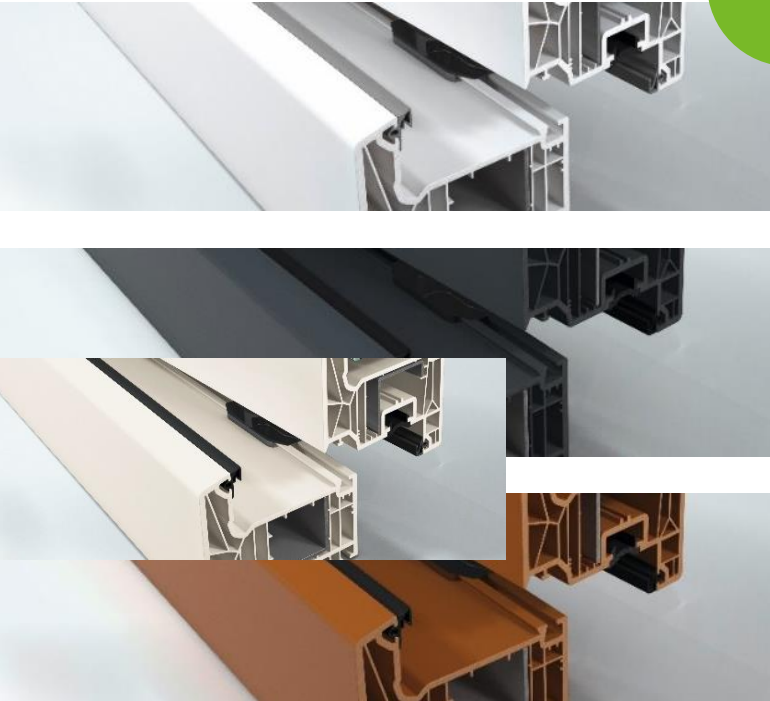


Kick plate profile
48/23

Schüco EasySlide

Surface finishing

Colour-matched base components



Schüco TopAlu



Schüco Unlimited Finish



Schüco EasySlide

System features



Wide selection

Choice of more than 300 foils consisting of uniform and metallic colours and woodgrain finishes

Tested quality

RAL-certified foils

Long-lasting

The foils are fade-resistant, weather-resistant and tried-and-tested over many years

Maximum design freedom

Uniform colour concept for all Schüco PVC-U systems

Design option

TopAlu – outside cover cap allowing a combination of design flexibility in terms of colour and resistance to weathering influences.

System section details

04



Schüco EasySlide

System section details

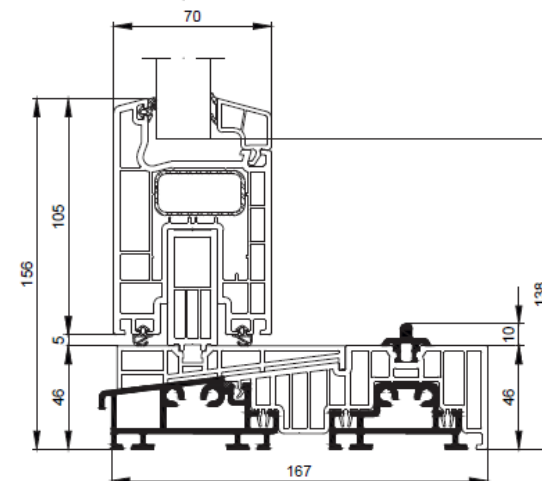
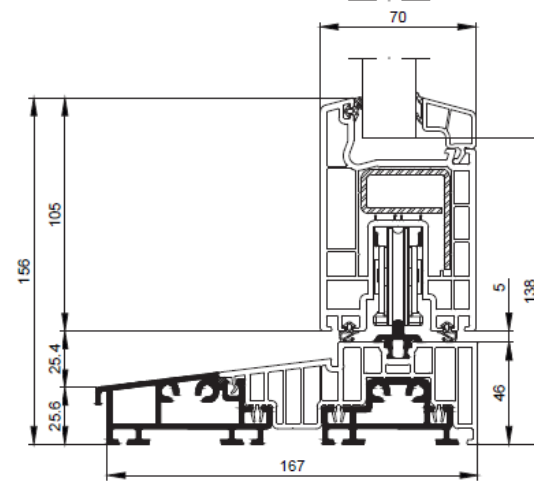
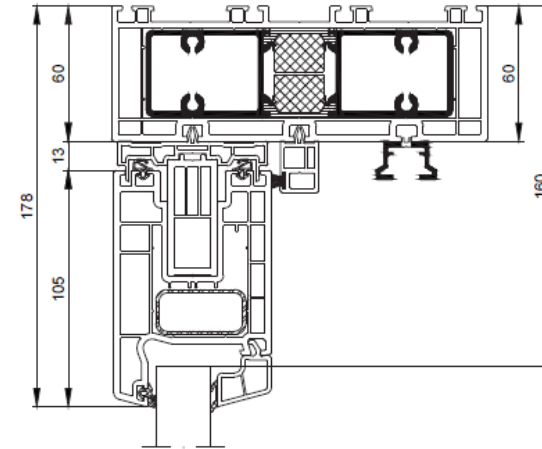
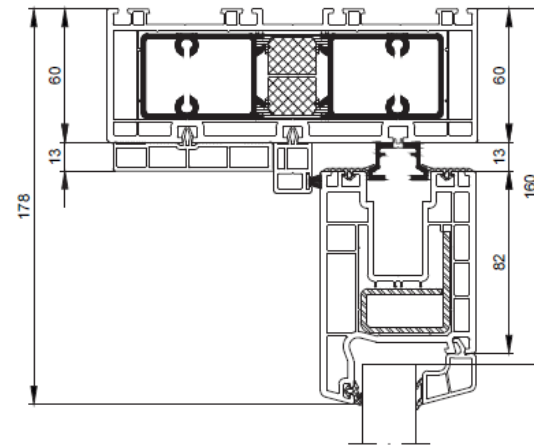
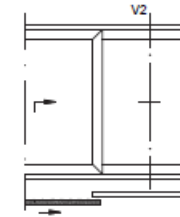
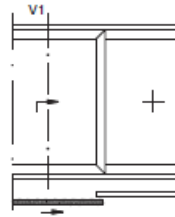
Vertical section details, type 01

V1 – Sliding vent

V2 – Fixed vent

Face width, bottom: 156 mm

Face width, top: 178 mm



Schüco EasySlide

System section details

Horizontal section details, type 01

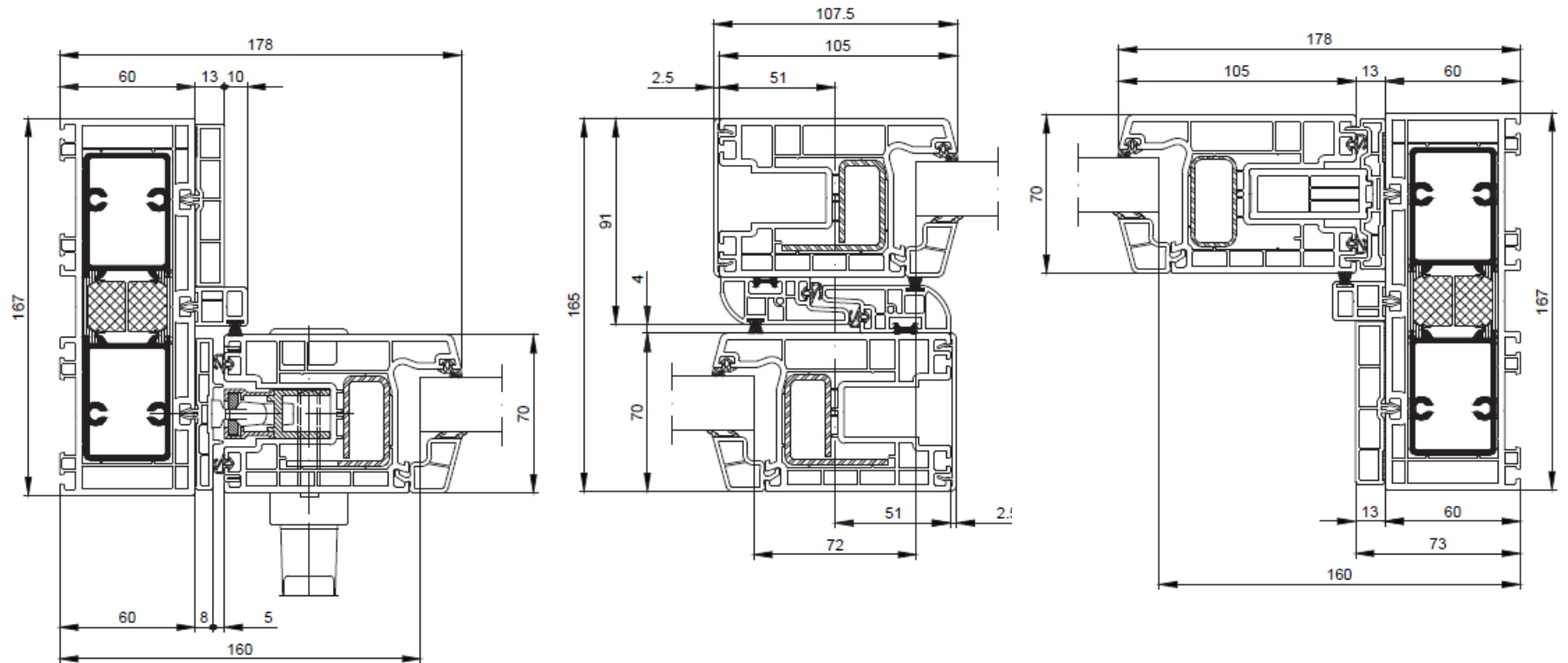
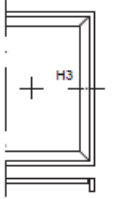
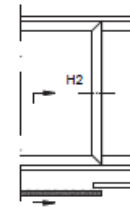
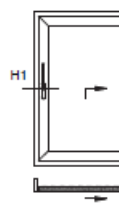
H1 – Sliding vent

H2 – Centre joint

H3 – Fixed vent

Face width, sides: 178 mm

Face width, centre: 108 mm



Schüco EasySlide

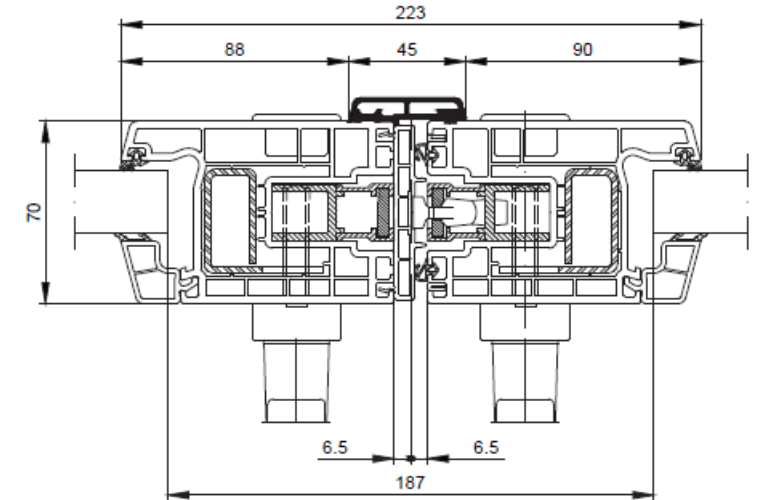
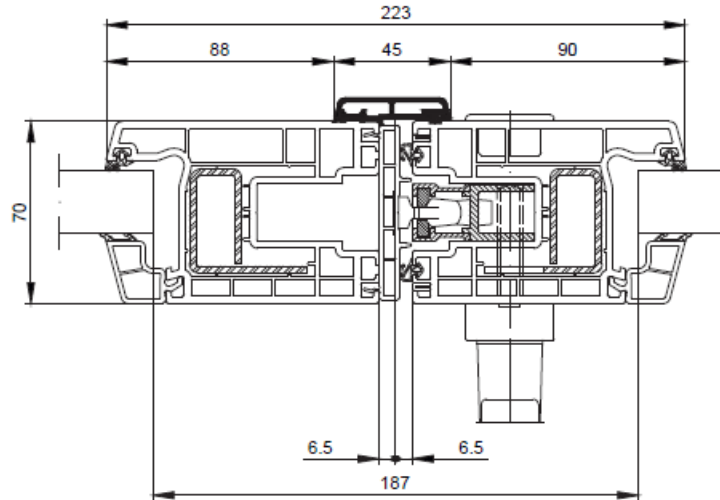
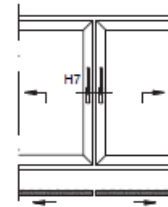
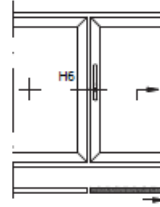
System section details

Horizontal section details, type 03 /
type 06

H6 – Meeting stile, type 03

H7 – Meeting stile, type 06

Face width of meeting stile: 223
mm



Schüco EasySlide

System section details

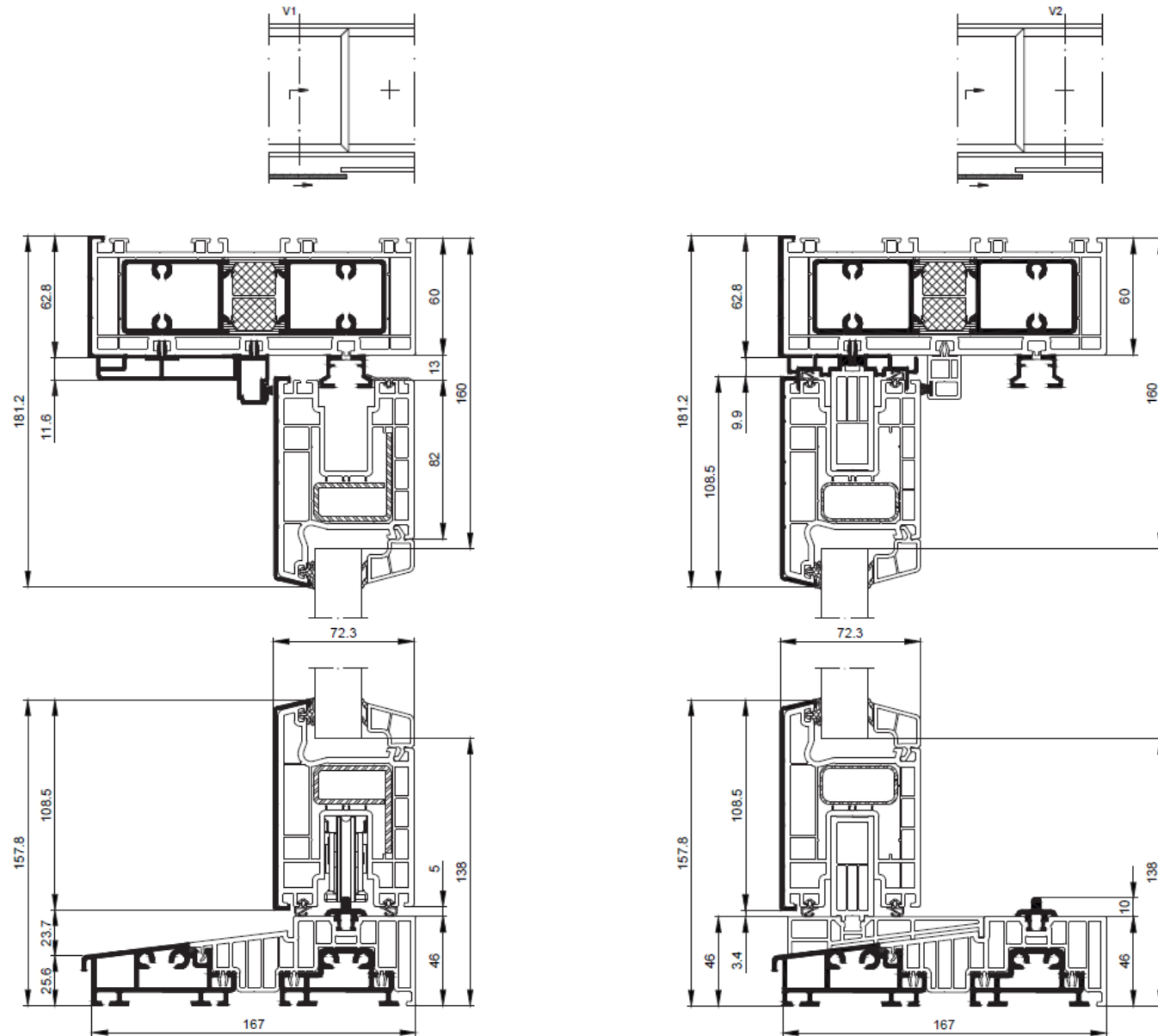
Vertical section details, type 01,
TopAlu

V1 – Sliding vent

V2 – Fixed vent

Face width, bottom: 158 mm

Face width, top: 181 mm



Schüco EasySlide

System section details

Horizontal section details, type 01,
TopAlu

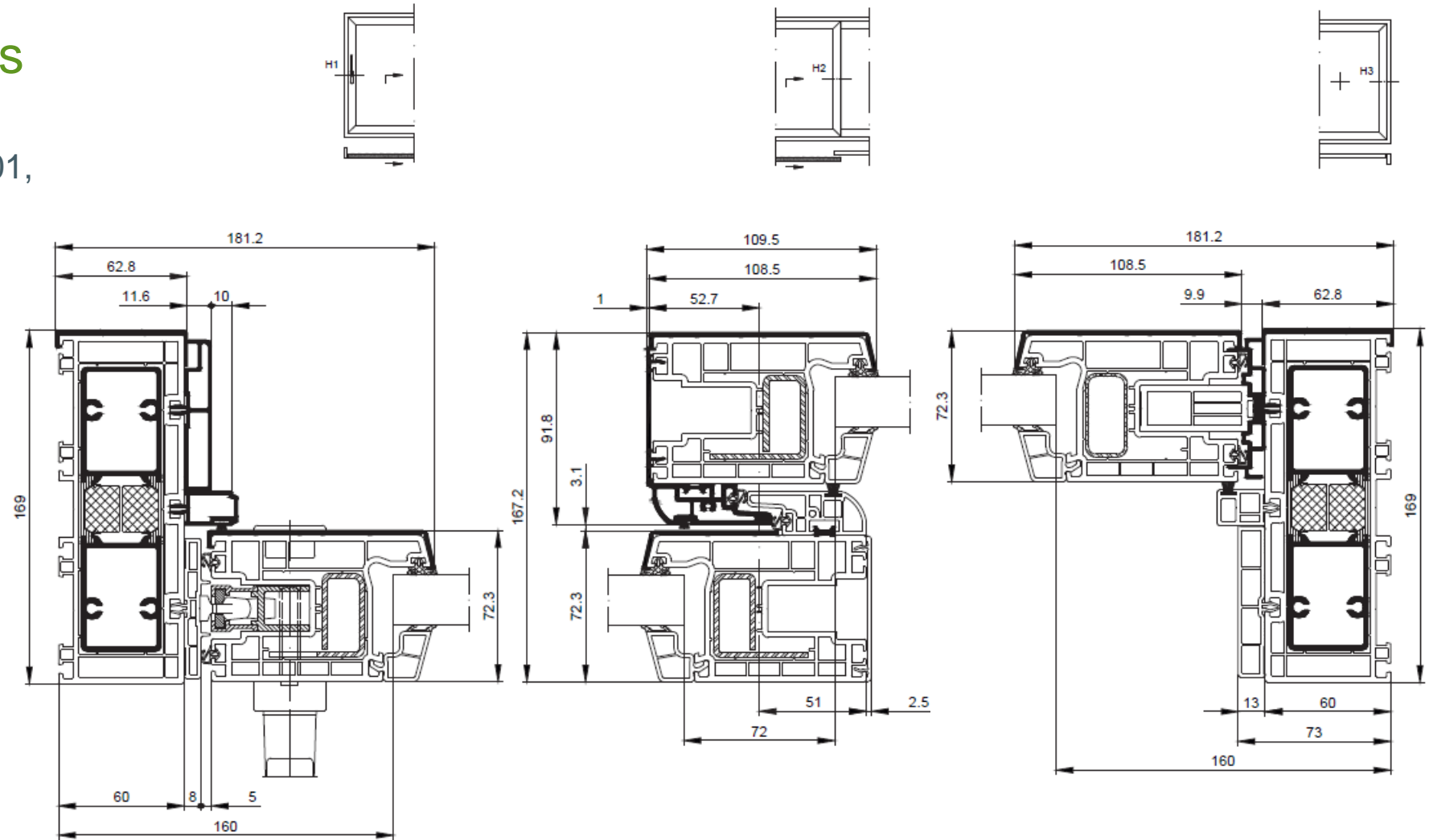
H1 – Sliding vent

H2 – Centre joint

H3 – Fixed vent

Face width, sides: 181 mm

Face width, centre: 110 mm



Lift-and-slide fitting EasySlide

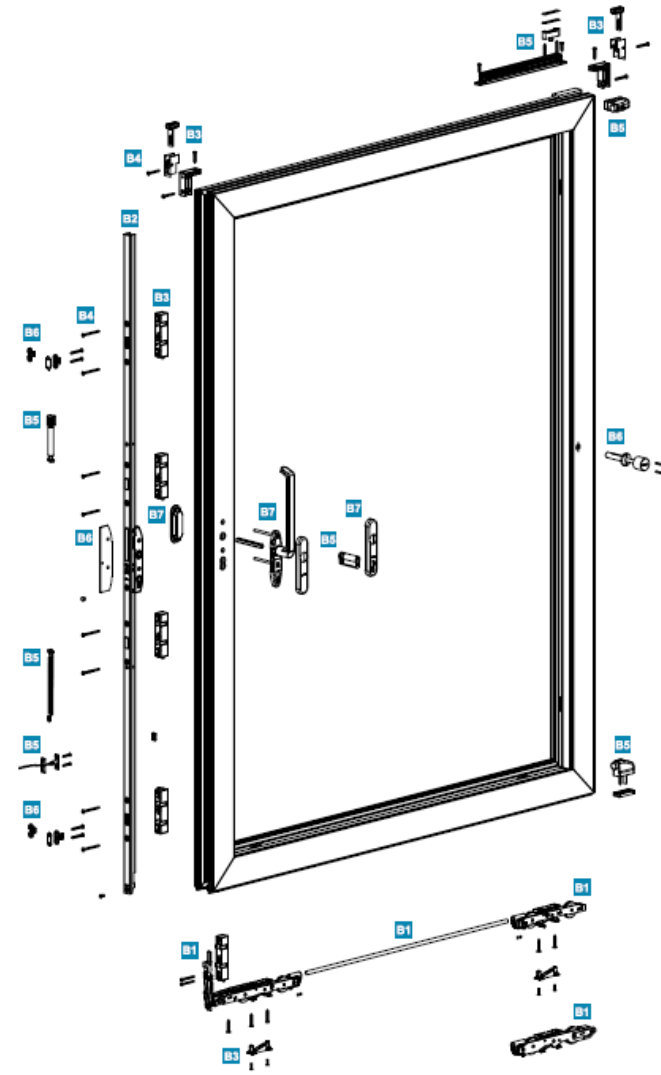
05



Schüco EasySlide

Lift-and-slide fitting

- Overview of all fittings, including the optional components and their locations.
- For use up to a vent weight of 300 kg
- Satisfies corrosion protection class 4 (480 h)
- Resistance to repeated opening and closing: class 3 (20,000 cycles)

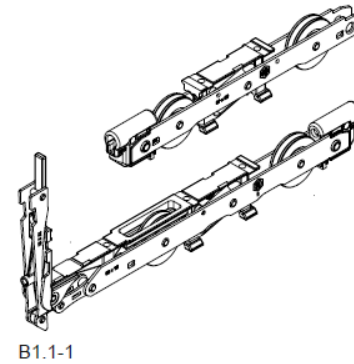


Schüco EasySlide

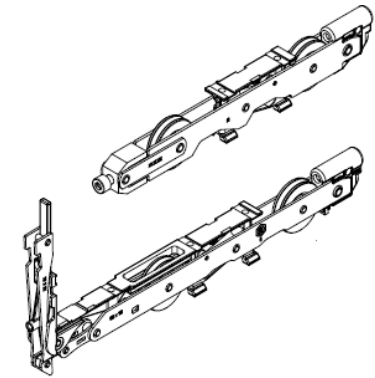
Lift-and-slide fitting

➤ Roller carriages, gearboxes & accessories

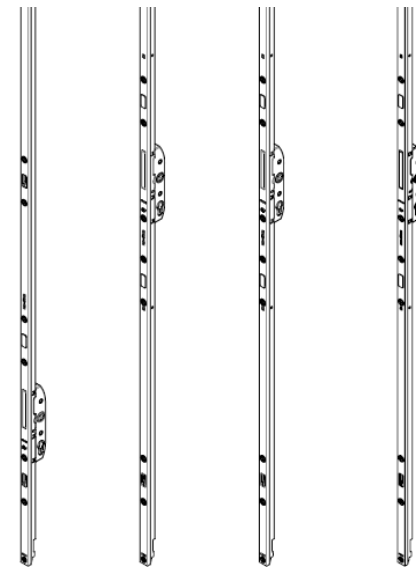
- Standard roller carriage kit (B1.1-1) up to a vent weight of 300 kg
- Optional roller carriage kit (B1.1-2) with rear height-adjustable roller carriage
- Four different gearboxes with backset of 37.5 mm (B2.1)
- Two locking points open as standard, can be extended to up to four locking points
- Various accessories configurations for all common unit types (the figure shows examples of roller carriage positions, buffer stops and various bolt pins)



B1.1-1



B1.1-2

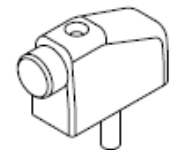
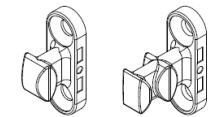
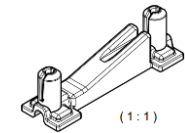


B2.1-1

B2.1-2

B2.1-3

B2.1-4

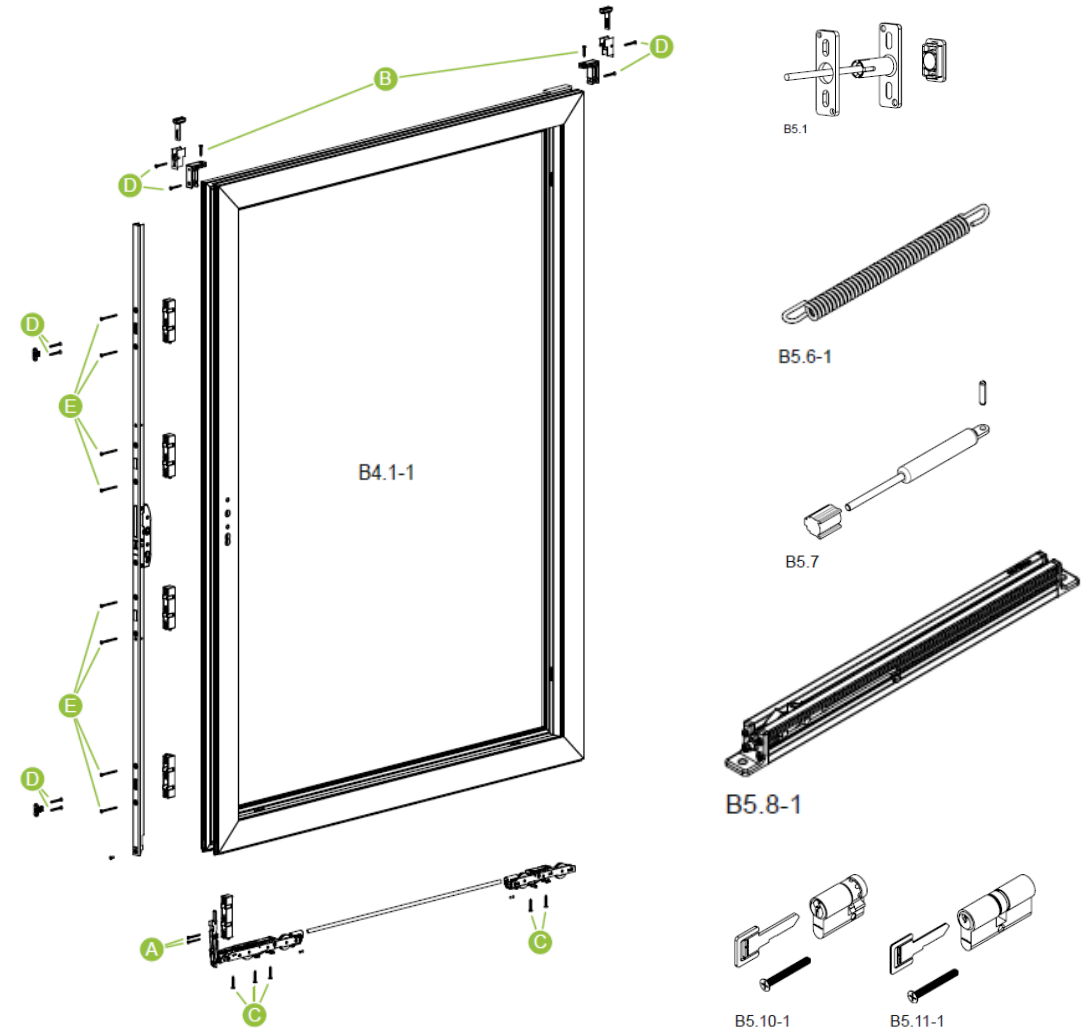


Schüco EasySlide

Lift-and-slide fitting

➤ Optional accessories & screws kit

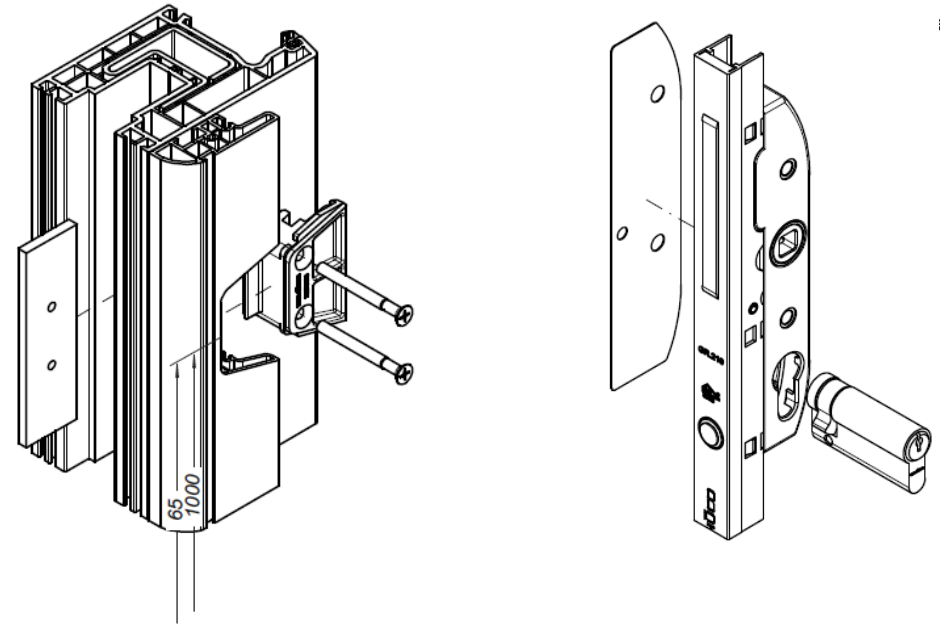
- Various optional accessories, e.g. closure control (B5.1), "Soft Lift" lifting aid (B5.6), "Soft Handle" or "Schüco SmartClose" rebound damper (B5.7) and profile cylinder (B5.10)
- The EasySlide screws kit (B4.1-1) contains all the required sizes and quantities of fixing screws for the lift-and-slide fitting in accordance with our fabrication guidelines



Schüco EasySlide

Lift-and-slide fitting

- RC2 burglar resistance
 - Type 01 / 04 & 05 burglar-resistant up to RC2 and RC2 N in accordance with DIN EN 1627
 - For different fabrication guidelines, see **BK 1024235_0500**
 - Additional / different fitting:
 - ✓ RC2 kit (see figure)
 - ✓ Anti-drill protection for gearboxes
 - ✓ Special bolt pins
 - ✓ Lockable handle, inside

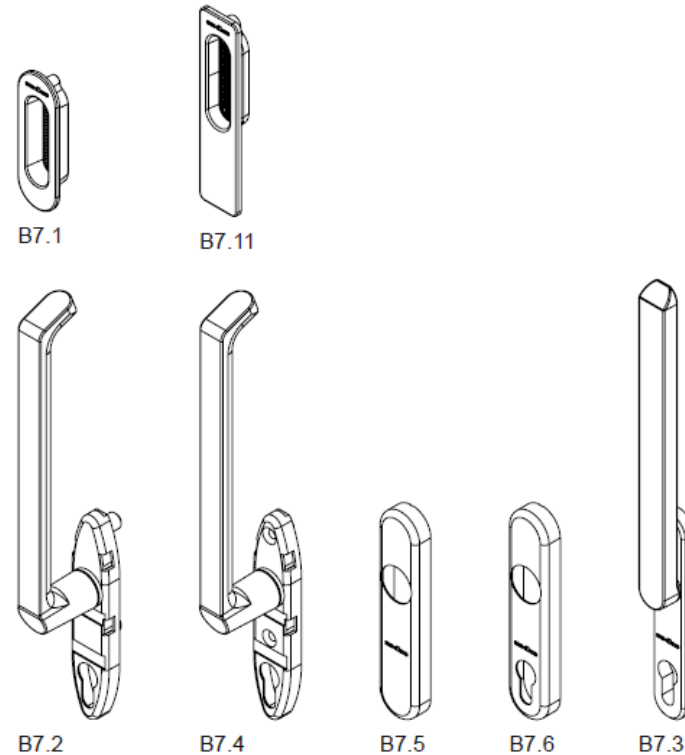


Schüco EasySlide

Lift-and-slide fitting

➤ Range of handles

- The range of lift-and-slide handles can be used for all systems and is visually similar to the window and entrance door range.
- A one-size-fits-all solution
- Available in five different colours (white, black, silver, stainless steel look and creamy white)
- All individual components, both outside and inside, can be combined with one another

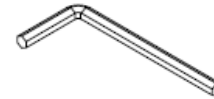


Schüco EasySlide

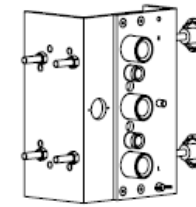
Lift-and-slide fitting

➤ Jigs & tools for different fittings components

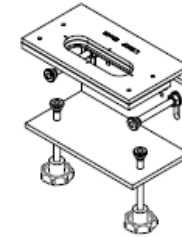
- Universal and system-specific drilling and machining jigs in the range
- For example, for handles or flush pull grips (B9.3 & B9.4) or accessories and security components (B9.12 & B9.13)



B9.2



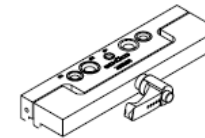
B9.3



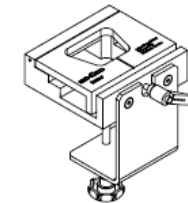
B9.4



B9.6



B9.12



B9.13

Thank you!

