

A photograph of a house with a thatched roof and a balcony. The house features a prominent dormer window with a white frame and a balcony with a white railing. The roof is made of light-colored thatch. The house is set against a clear blue sky. The Schüco logo is visible in the top right corner.

SCHÜCO

Schüco CT 70 Accent

System presentation



Schüco CT 70 Accent

System presentation

SCHÜCO

Contents

01

Schüco CT 70 Accent
system features

02

“Vertical look” sliding
window

03

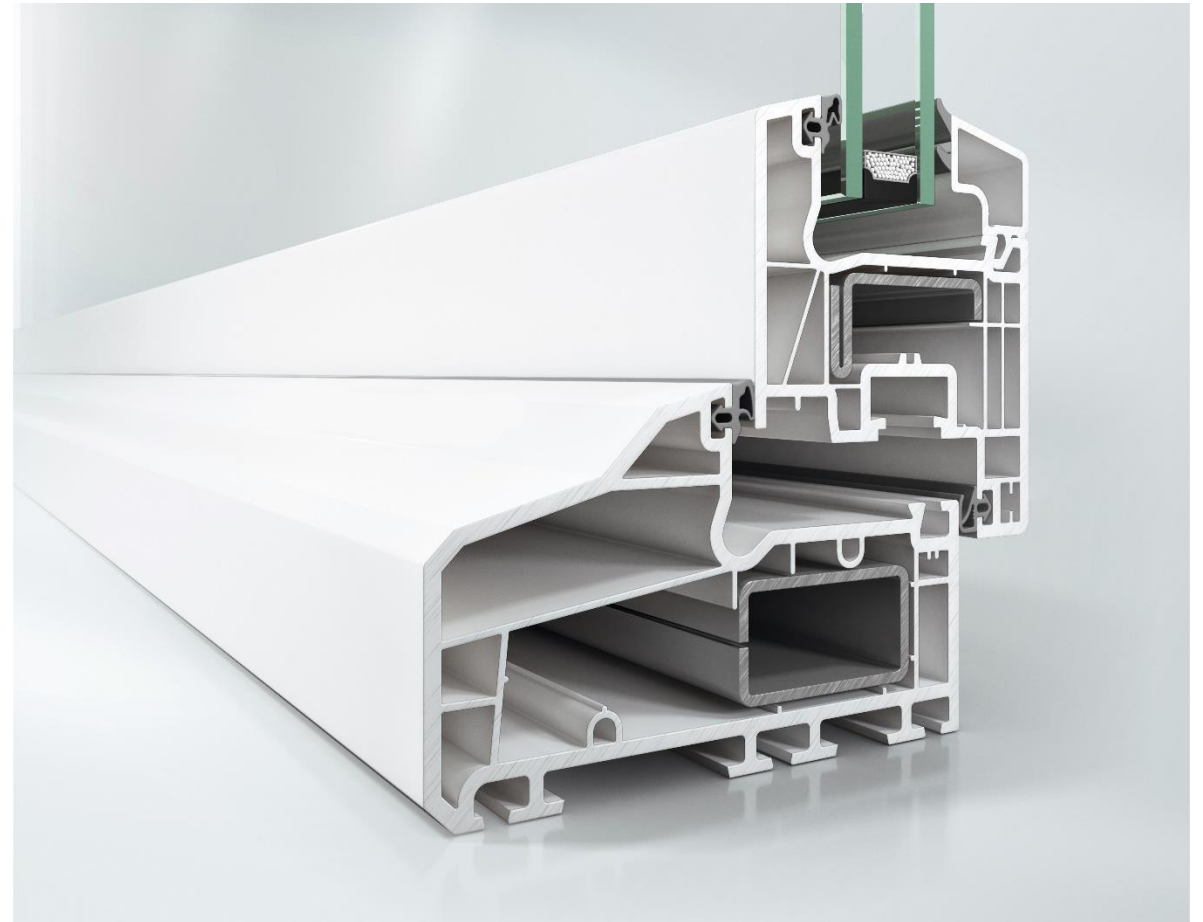
System range & surface
finishing

Schüco Corona CT 70 Accent System features

The rebate gasket system is based on the Schüco CT 70 series.

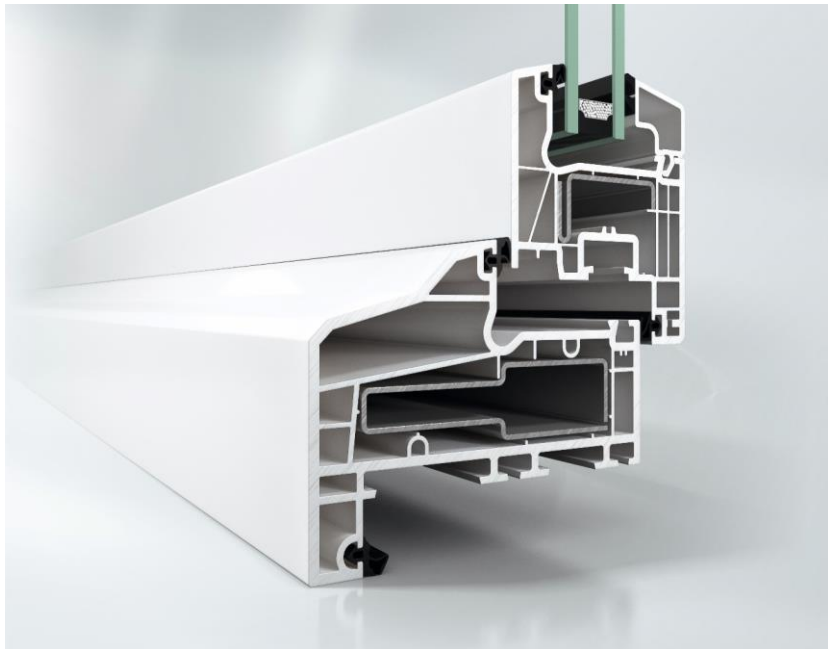
With its distinctive outer frame contour, Schüco CT 70 Accent allows PVC-U units to be reproduced in a timber look.

Window and door units with good thermal insulation can be fabricated with the Schüco CT 70 Accent profile system, as the 5-chamber construction with an installation depth of 112 mm provides effective thermal insulation.



Schüco CT 70 Accent

Design for renovation

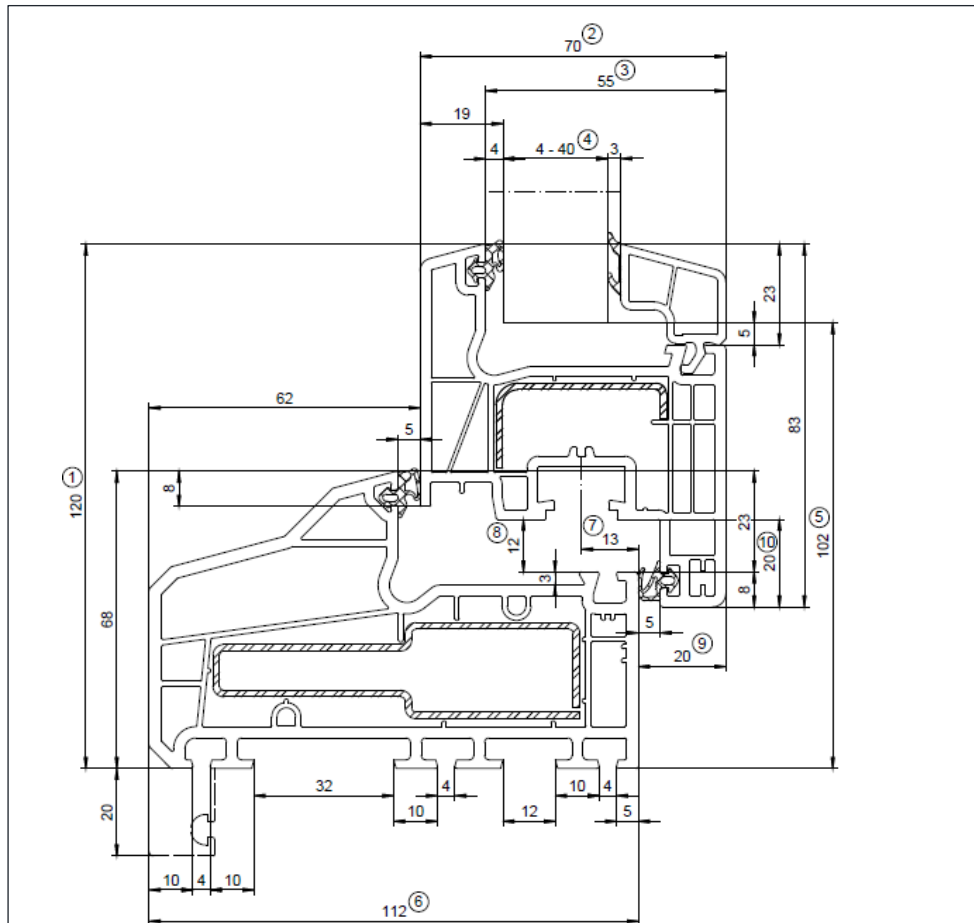


Specially for the Dutch market: the block outer frames and their innovative shape reproduce the typical timber window look.

The renovation outer frames are specially tailored to country-specific building renovation requirements.

Schüco CT 70 Accent

System features



System dimensions

Basic depth of outer frame: 112 mm
Basic depth of vent frame: 70 mm

Rebate height of outer frame and T-profiles: 3 mm
Rebate height of vent: 5 mm

Glass edge cover: 20 mm

Glazing from 4 to 42 mm (gasket replacement) possible

Schüco CT 70 Accent

Gasket system

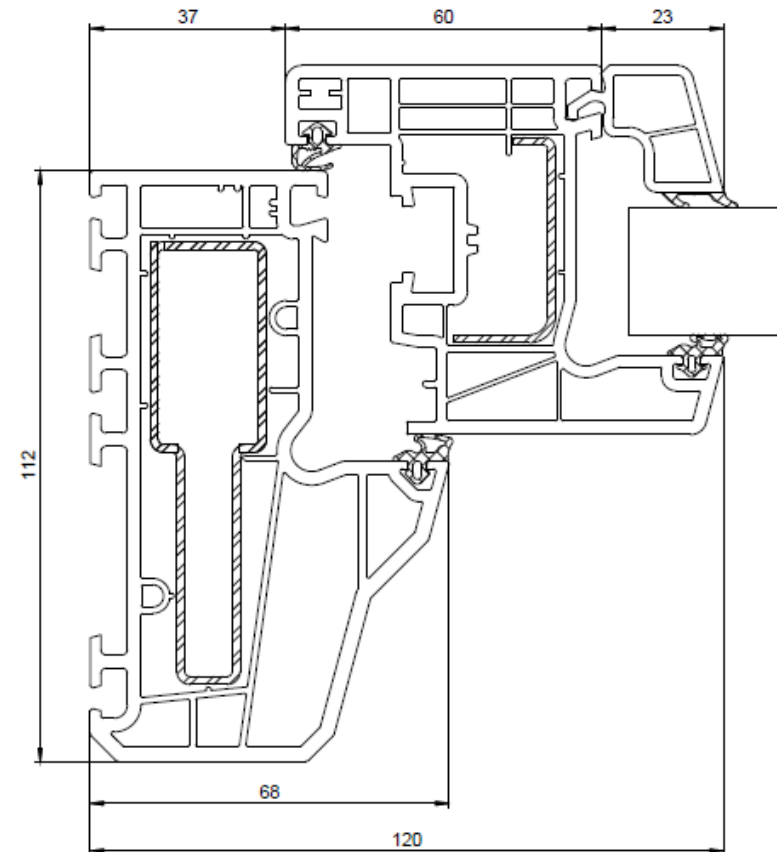
Functional gaskets in the vent frame made of EPDM (rolled in the factory).

Rebate gasket in the outer frame and T-profile made of SEB

No gasket replacement for fixed glazing

Innovative gasket geometries with wide surfaces ensure excellent weathertightness of joints

The flush fitting gaskets blend in perfectly with the appearance of the window



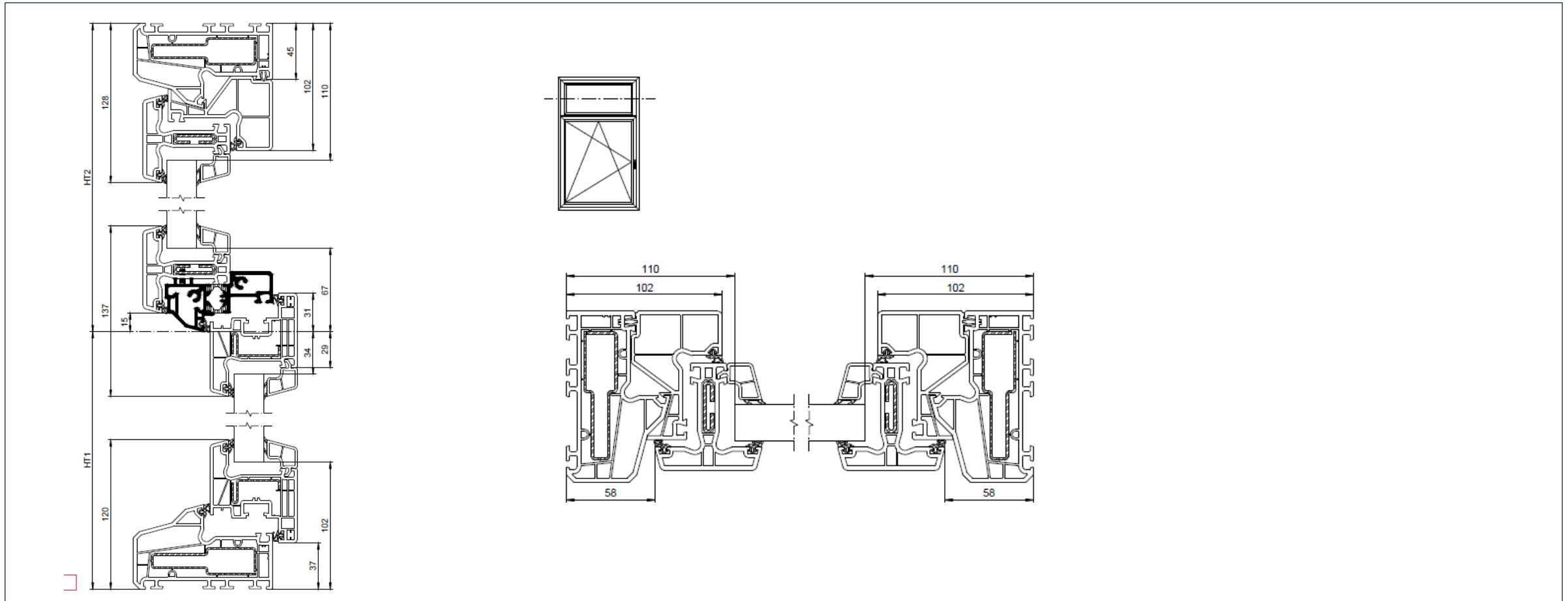
“Vertical look” sliding window

02



Schüco CT 70 Accent

“Vertical look” sliding window



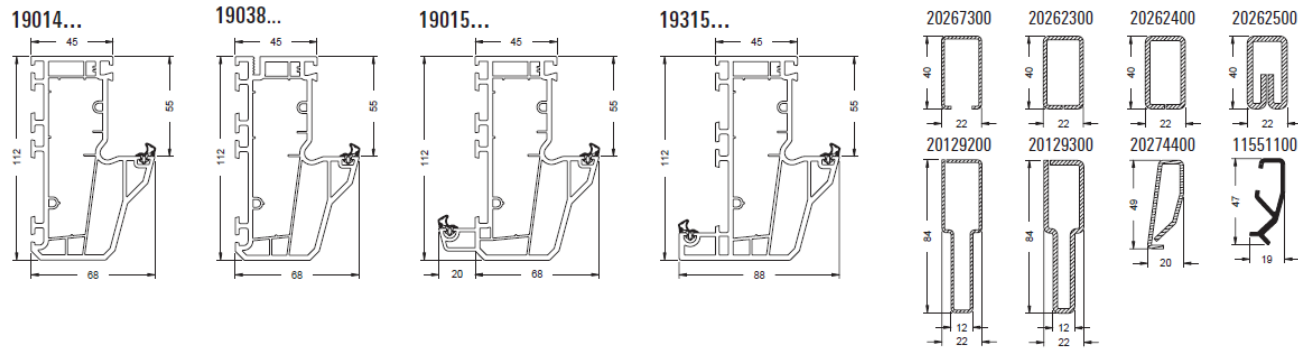
Product range
&
surface finishing

03

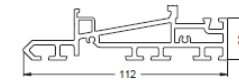


Schüco CT 70 Accent

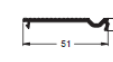
Outer frame / threshold



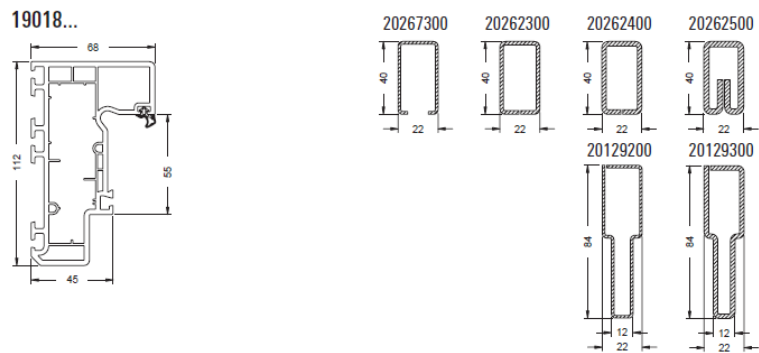
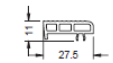
28603100



11551000
11551070

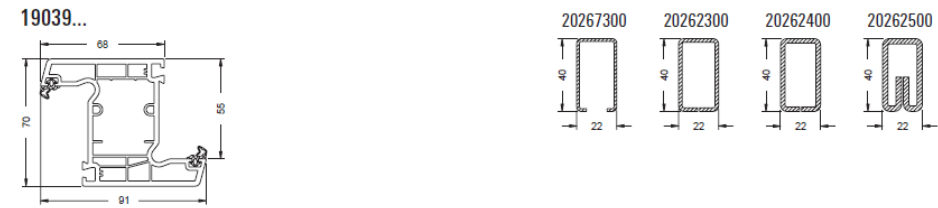
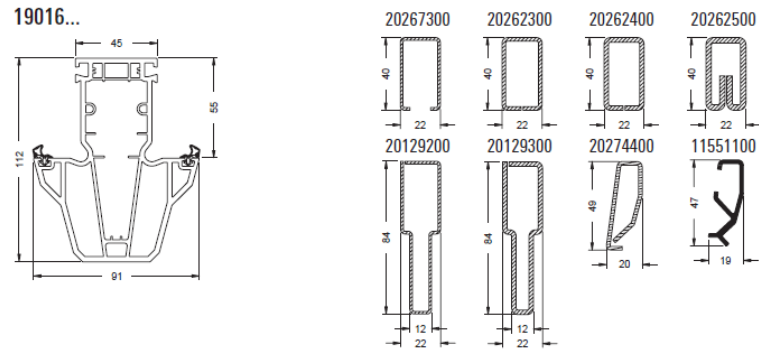


17472150



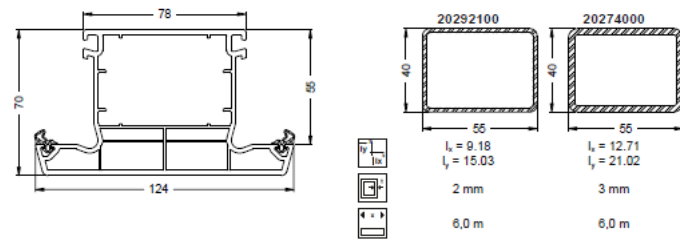
Schüco CT 70 Accent

T-profiles / transom profile, reverse rebate and Z-shaped profiles

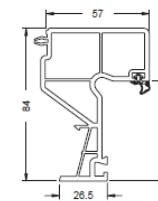


Flügelssprossenprofil 70/124 3K Euroline

17969... 6,0 m



19017...



Vent, double-vent and T-profiles from the Schüco CT 70 system are used.

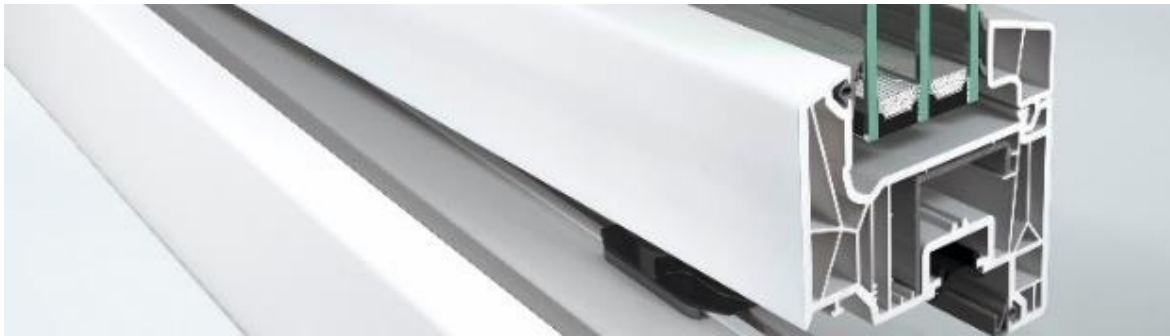
Schüco CT 70 Accent

Surface finishing

Colour-matched
base components



Schüco
UnlimitedFinish



Range of more than
300 standard and special foils in metallic and single colours or
woodgrain finishes

Thank you

